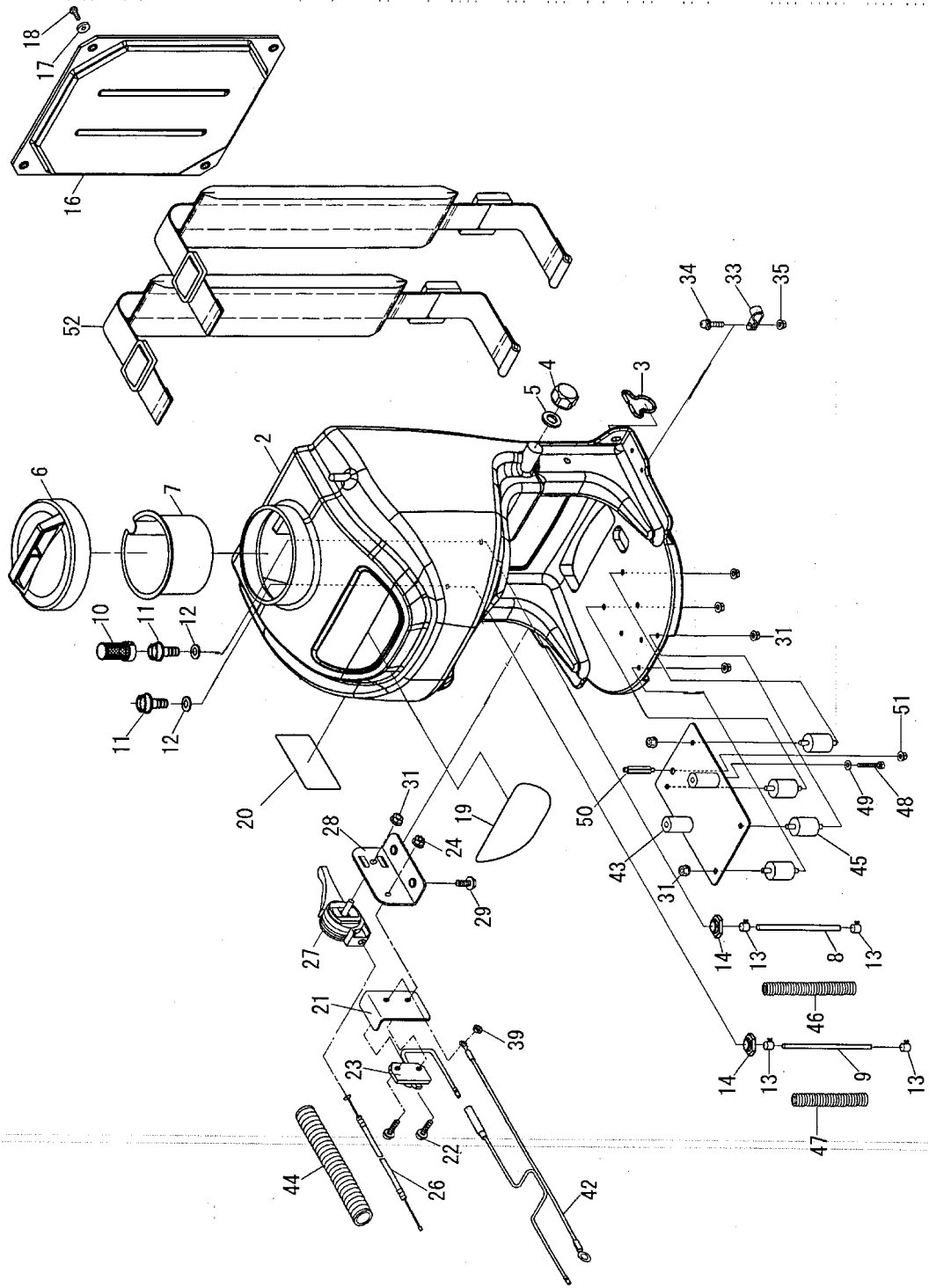




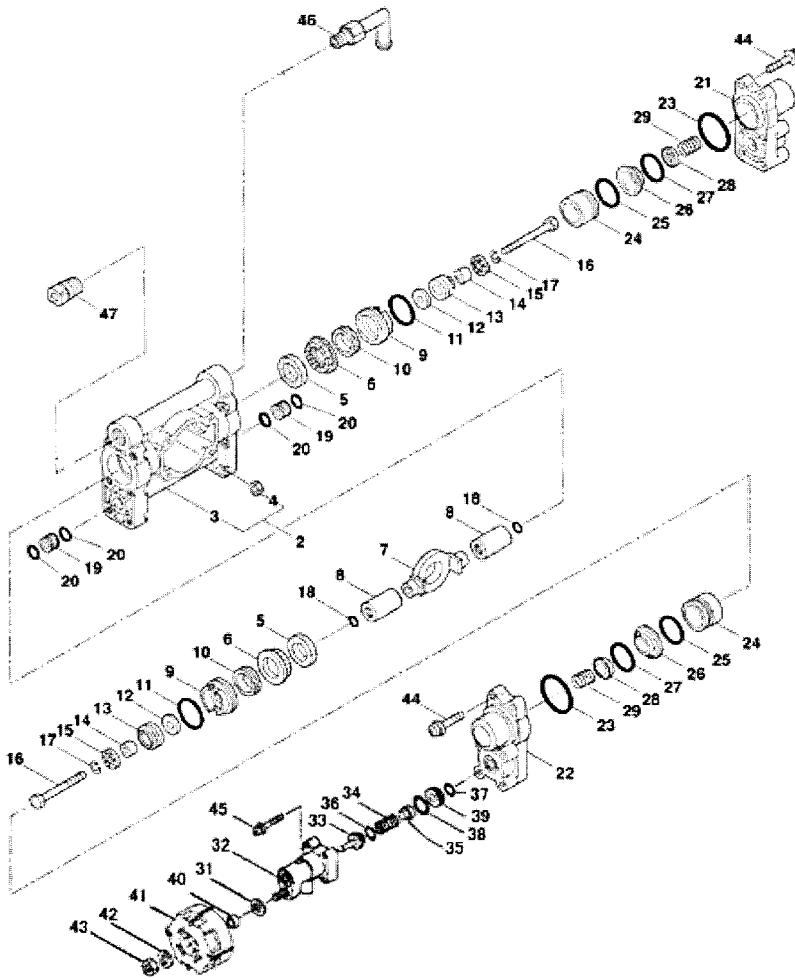
ESPLOSO POMPA  
RHS2620H

# 1. MACHINE BODY (TANK)



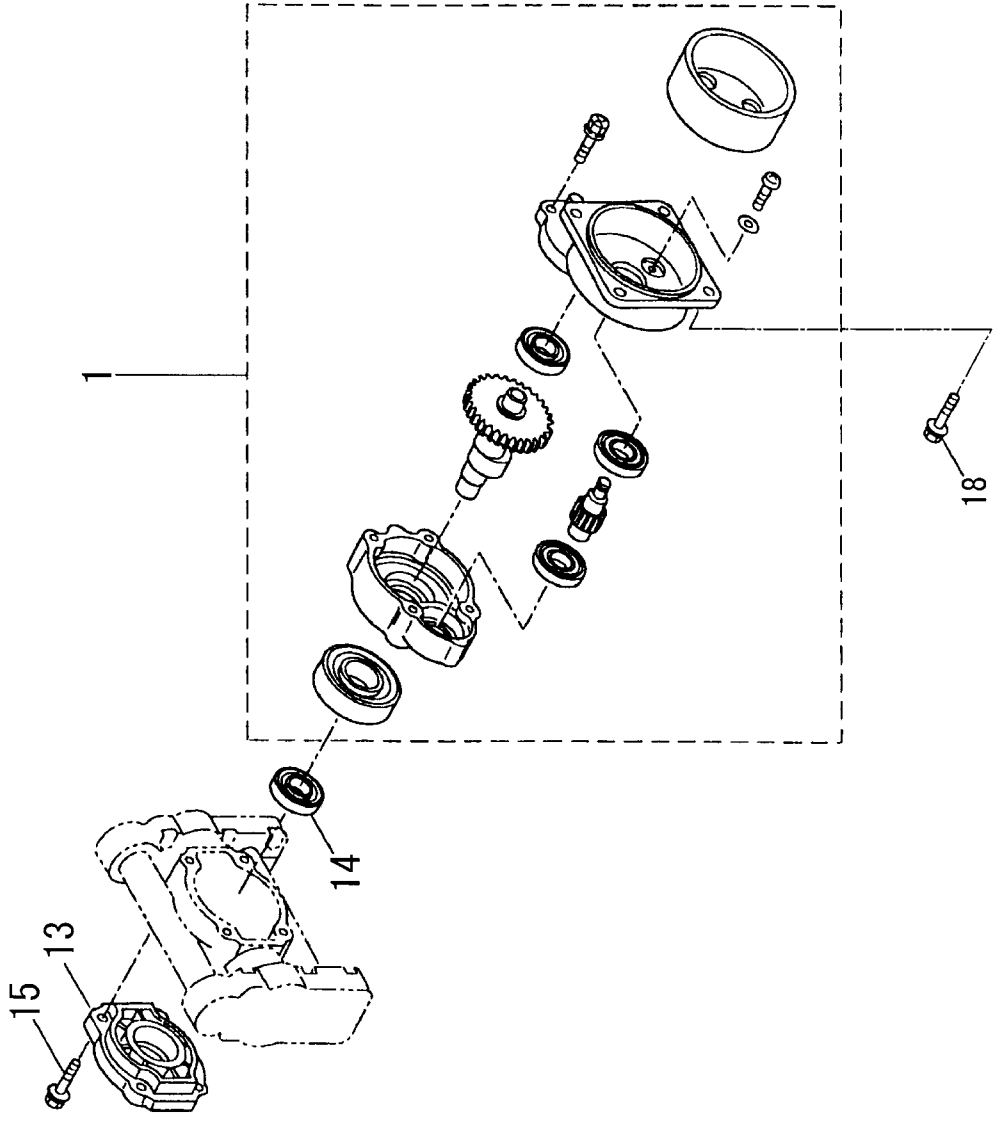
* No.	PARTS No.	DESCRIPTIONS	Q'TY	REMARKS
2	6904017000	TANK COMPL	1	
3	6904507500	HOOK	2	
4	6824505200	CAP	1	
5	6904500300	GASKET, BLIND	1	
6	6954005000	CAP COMPL	1	RED
7	6904503601	STRAINER, TANK	1	
8	0851389980	TUBE	1	SUCTION
9	0851289950	TUBE	1	DRAIN (BRACK)
10	6974007000	STRAINER, SUCTION	1	
11	6986502100	JOINT	2	
12	0213189970	GASKET	2	
13	0561149980	HOSE CLAMP	4	
14	6974500600	NUT, SUCTION	2	
16	6904507400	CUSHION	1	
17	0031205000	WASHER	4	
18	0140059980	SCREW	4	
19	6909535800	LABEL, TANK	1	
20	6909536000	LABEL, SERIAL COMPL	1	
21	6906507500	PLATE, SWITCH	1	
22	0043604203	SCREW, ASSEMBLY	2	M4 x 20
23	0662009650	STOP SWITCH	1	ON-OFF
24	0170049990	NUT	1	
26	0630039751	CONTROL CABLE	1	
27	6945002000	LEVER COMPL	1	
28	6906505500	PLATE, CONTROL LEVER	1	
29	0140059310	SCREW	2	M5X14
31	0023705000	FLANGE NUT	9	
33	0561159970	HOSE CLAMP	1	
34	0043604203	SCREW ASSEMBLY	1	M4X20
35	0023704000	FLANGE NUT	1	M4
39	0170049990	NUT	1	STOP SWITCH
42	6906503600	WIRE	1	
43	6906507301	PLATE	1	
44	6908502400	TUBE, CABLE	1	
45	6906504300	DAMPER 1 COMPL	4	
46	6908502501	TUBE, CABLE	1	SUCTION L=210
47	6908502601	TUBE, CABLE	1	DRAIN L=130
48	0011005400	BOLT ASSEMBLY	2	M5X40
49	0031205000	WASHER	2	M5
50	6901504301	BOLT	1	
51	0023706000	FRANGE NUT	1	M6
52	6909070000	BAND COMPL	2	

## 2. MACHINE BODY (PUMP / CRANKCASE)



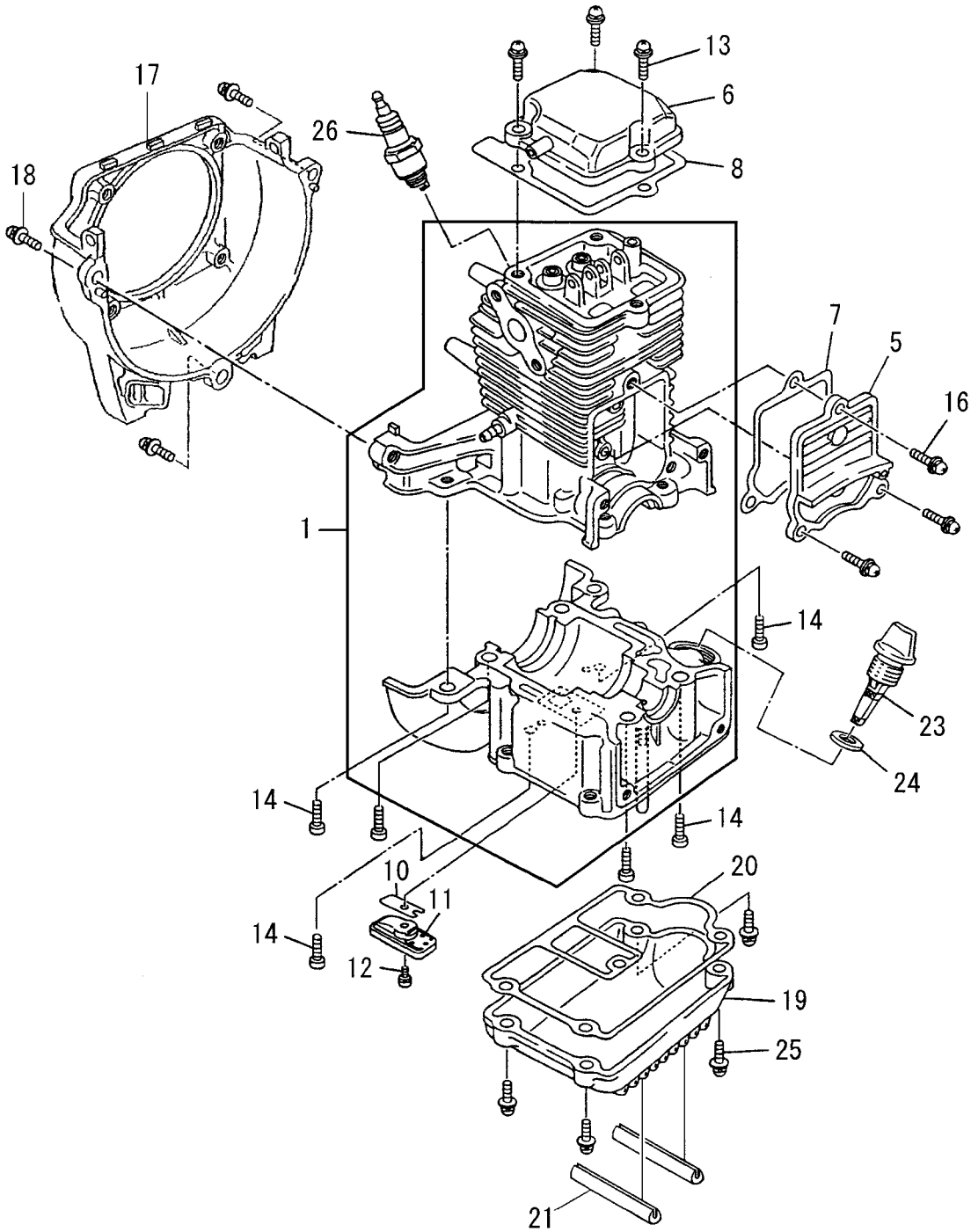
* No.	PARTS No.	DESCRIPTIONS	Q'TY	REMARKS
3	MS121832	CRANK CASE ASSEMBLY	1	
4	MS081238	NUT	12	M5
5	MS102683	OIL SEAL	2	G16244
6	MS106190	COLLER	2	
7	MS121179	CORN ROD	1	
8	MS118055	SLEEVE	2	15X28.5
9	MS102358	SEAL HOLDER	2	
10	MS112252	SEAL PACKING	2	
11	MS013977	O RING	2	S26
12	MS043426	SUCTION VALVE	2	5X17X2.8
13	MS100441	PISTON PACKING ASSY	2	20.5
14	MS023357	SUCTION VALVE COLLER	2	5X8X10
15	MS022023	SUCTION VALVE STOPPER	2	5X16X3
16	MS118357	BOLT	2	M5X45X22
17	MS015848	SPRING WASHER	2	M5
18	MS021549	O RING	2	P5
19	MS100554	PIPE	2	6X12X10
20	MS014175	O RING	4	P9
21	MS103128	CYLINDER HEAD A	1	
22	MS102634	CYLINDER HEAD B	1	
23	MS013983	O RING	2	S31.5
24	MS103130	CYLINDER PIPE	2	20X26X18
25	MS023172	O RING	2	P22
26	MS118018	VALVE SEAT	2	
27	MS103575	O RING	2	23X1.5
28	MS043723	VALVE	2	16X1.5
29	MS043360	COIL SPRING	2	
31	MS020012	WASHER	1	8.5 × 14 × T0.5
32	MS103132	SPRING CASE	1	
33	MS121618	SPRING HOLDER	1	
34	MS103759	SPRING	1	2.0-30L
35	MS121619	VALVE	1	
36	MS011682	O RING	1	P10
37	MS011343	O RING	1	P10A
38	MS011346	O RING	1	P14
39	MS103746	VALVE SEAT	1	
40	MS103270	COLLER	1	8 × 10 × 5.3
41	MS107198	CAM HANDLE	1	
42	MS081039	NUT	1	M8 1
43	MS014065	WASHER	1	M8
44	MS121956	SCREW ASSEMBLY	8	M5 × 32 W, SW
45	MS816036	SCREW ASSEMBLY	4	M5X60 W, SW
46	MS102661	ELBOW	1	
47	MS108460	PLUG	1	PT3/8

3. MACHINE BODY (PUMP / GEAR)





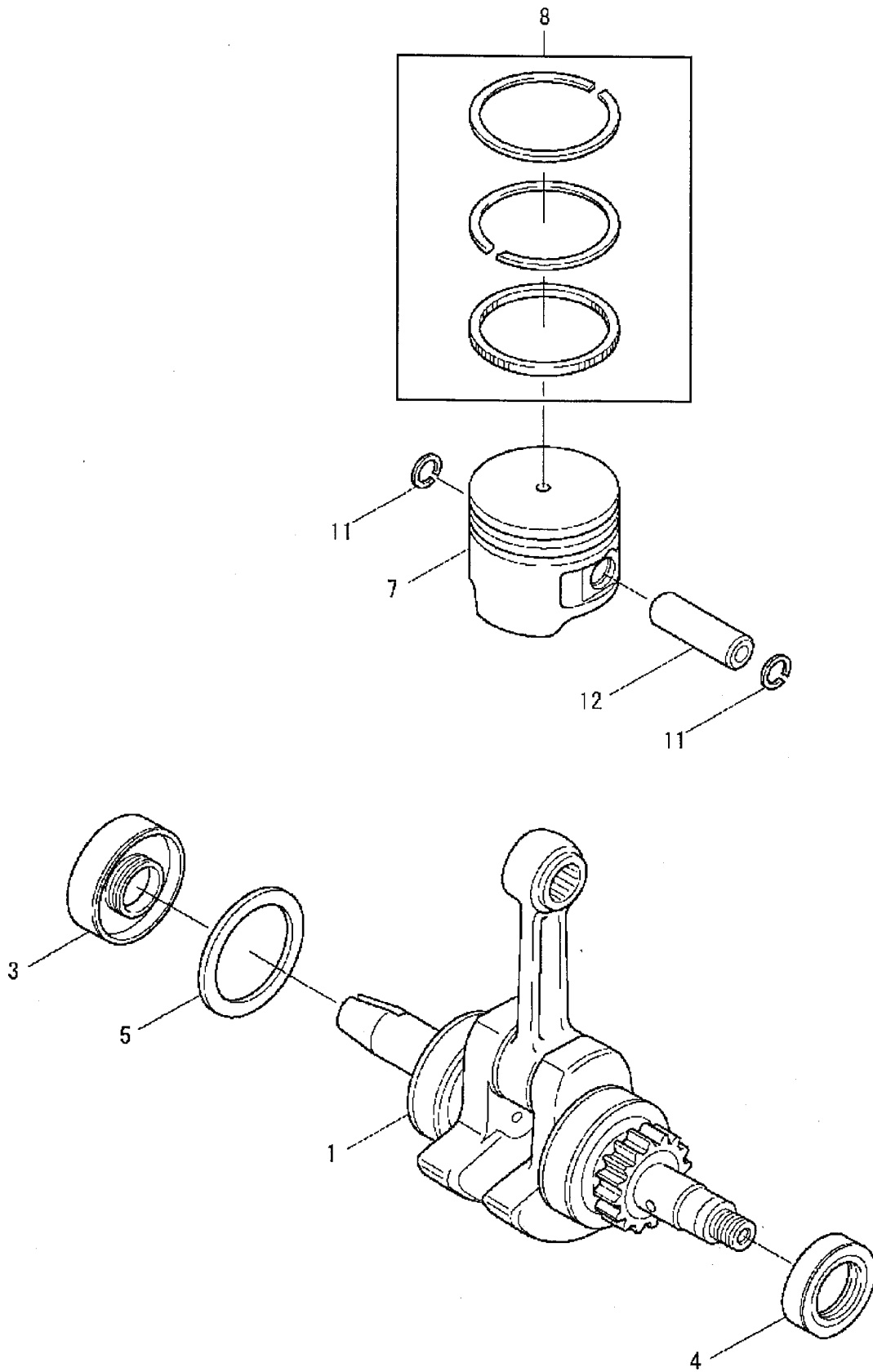
# 4. CYLINDER & CRANKCASE





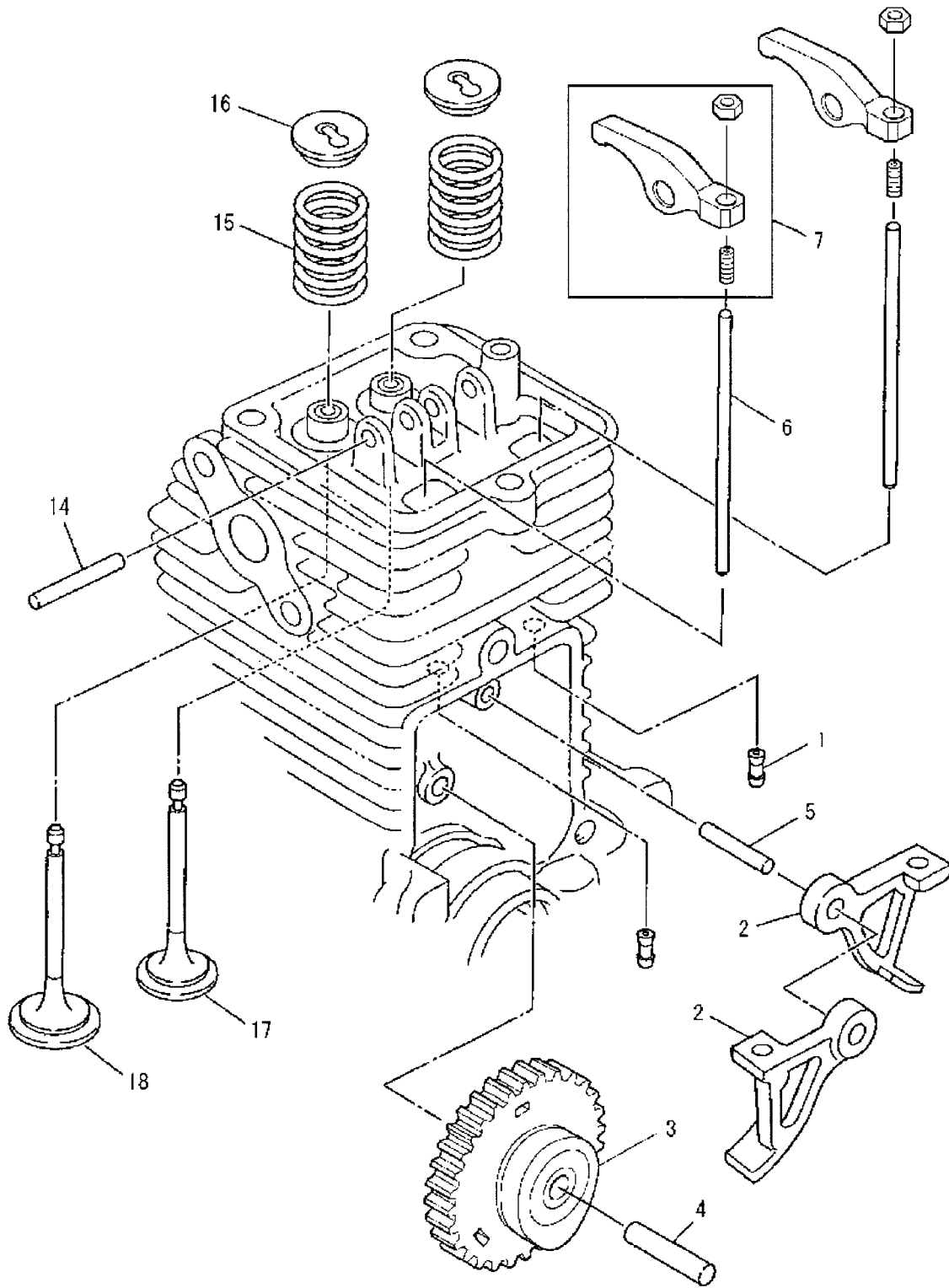


## 5. CRANKSHAFT



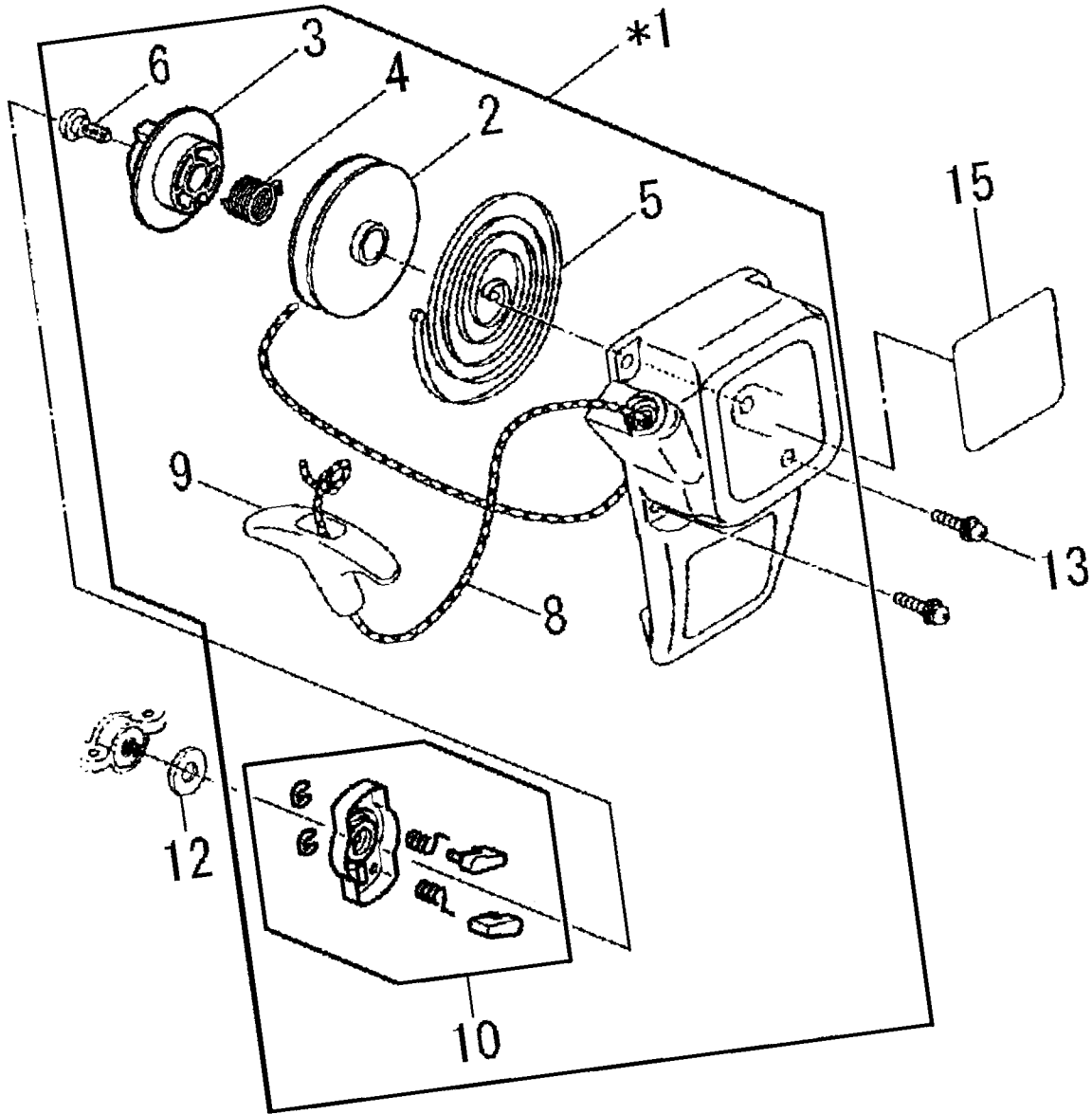


# 6. CAMSHAFT



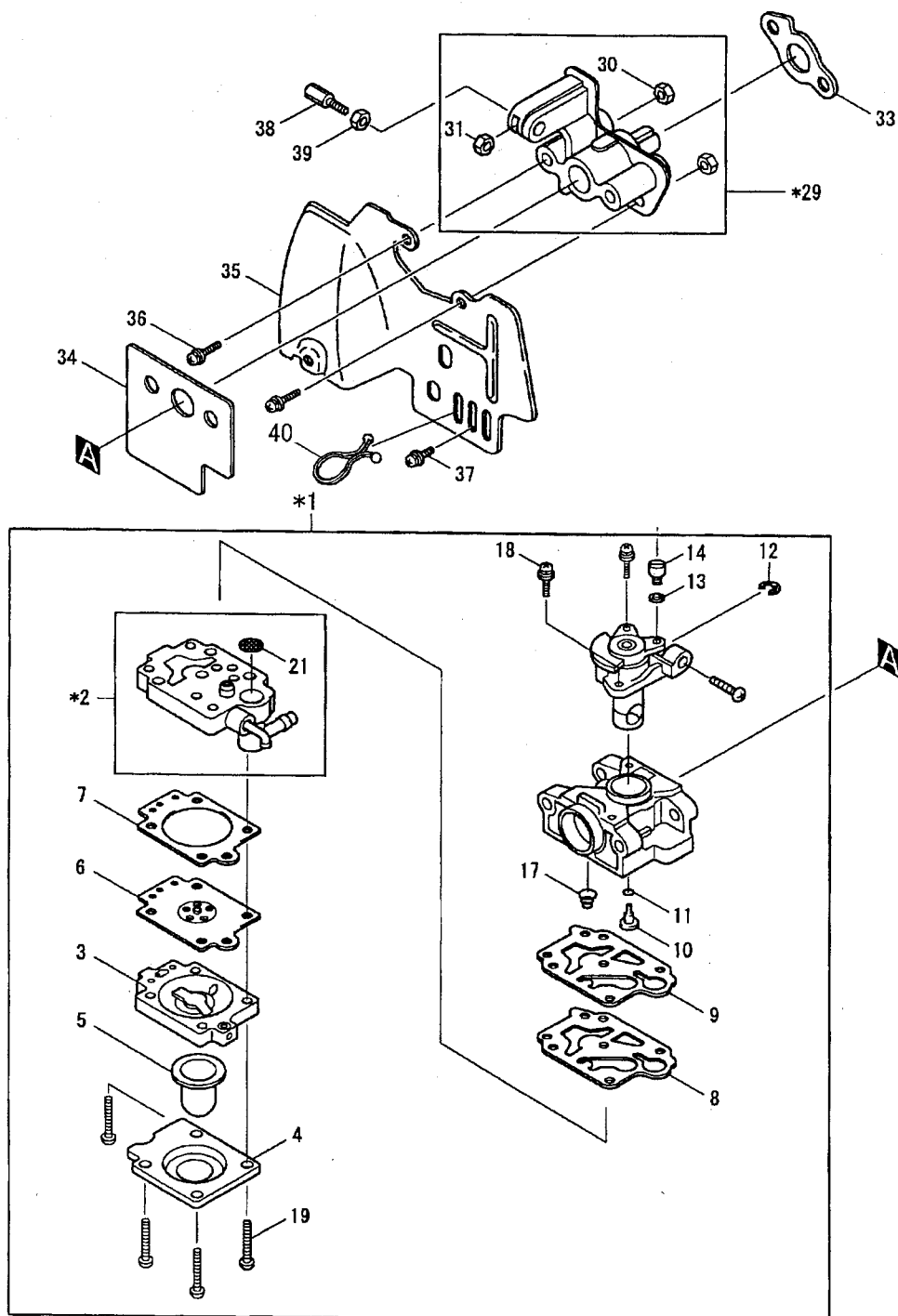


# 7. RECOIL STARTER



*	No.	PARTS No.	DESCRIPTIONS	Q'TY	REMARKS
*	1	5925005000	STARTER, REWIND	1	
	2	5255050010	REEL	1	
	3	5195019020	CAM PLATE	1	
	4	5195019030	DAMPER SPRING	1	
	5	5215002030	SPIRAL SPRING	1	
	6	5195002060	SET SCREW	1	
	8	5925006010	STARTER ROPE	1	
	9	5225004020	STARTER KNOB	1	
	10	5195018000	PULLEY	1	
	12	0200089790	WASHER	1	
	13	0140049770	SCREW ASSY	2	M4X16 W, SW
	15	6909536300	LABEL, MODEL	1	

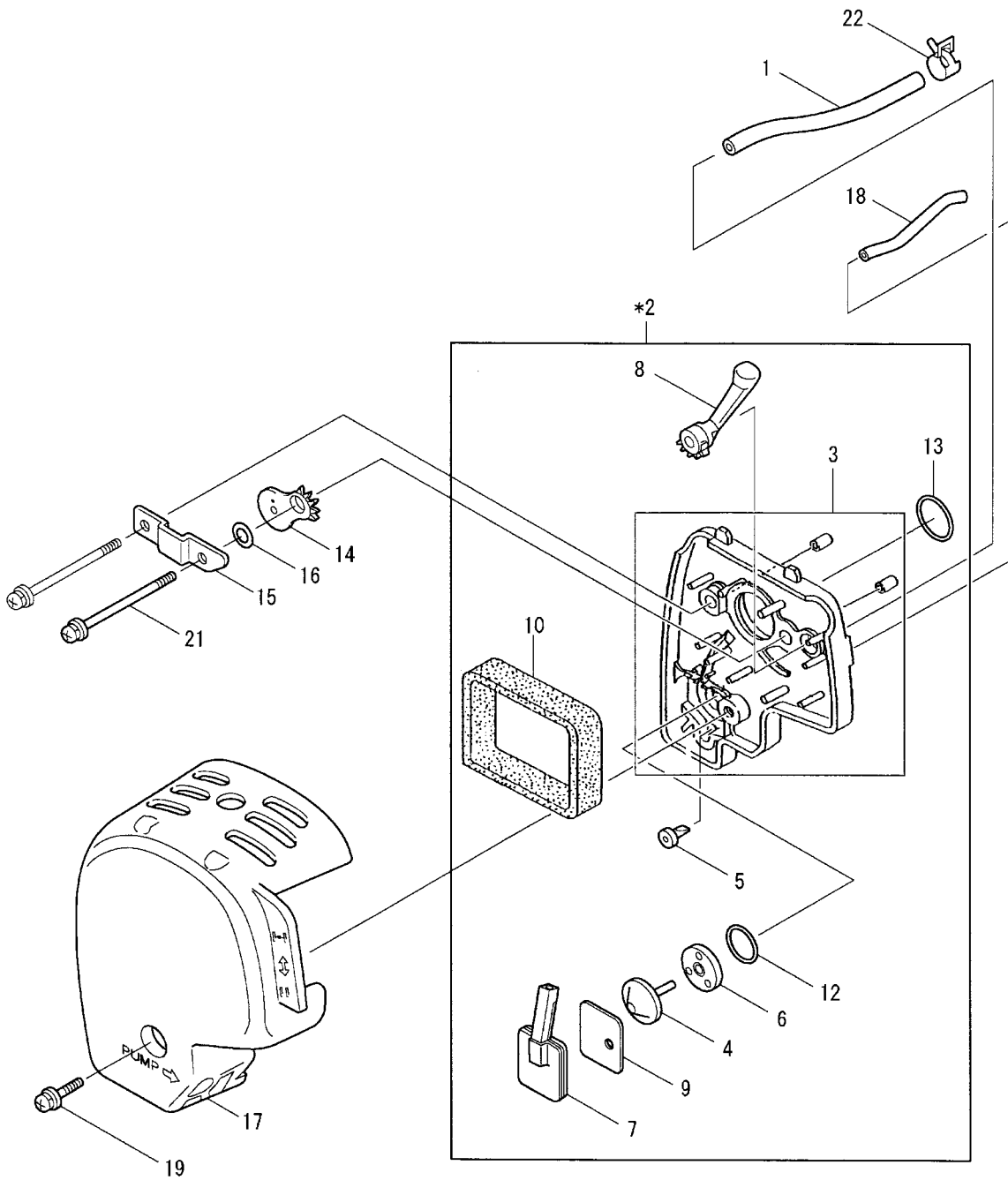
# 8. CARBURETOR





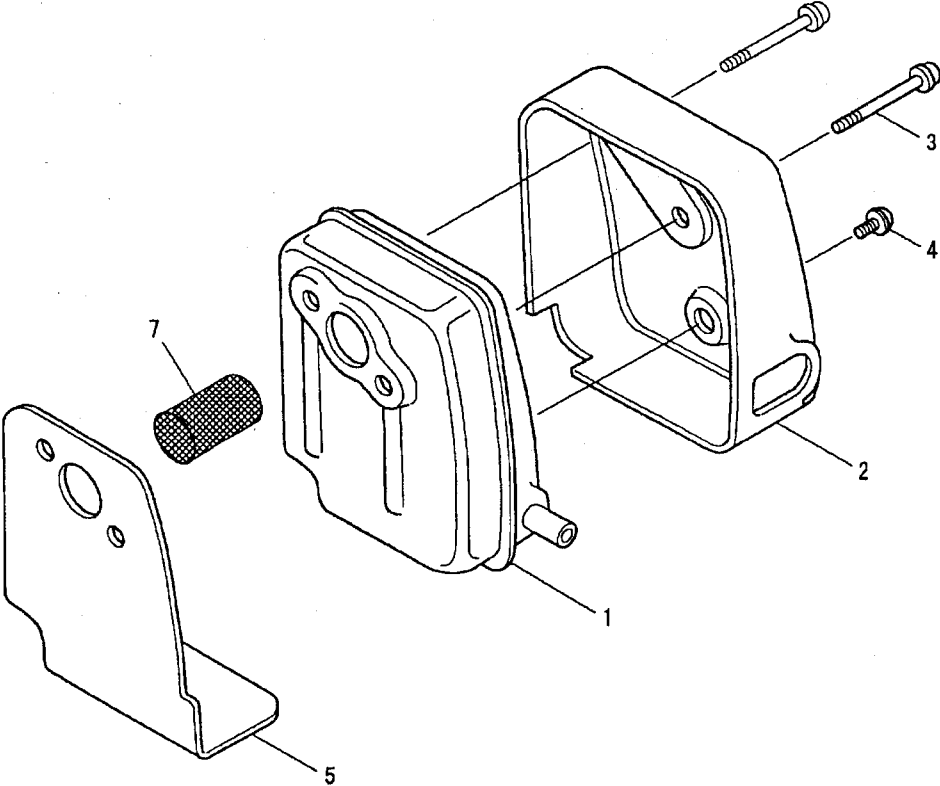


# 9. AIR CLEANER



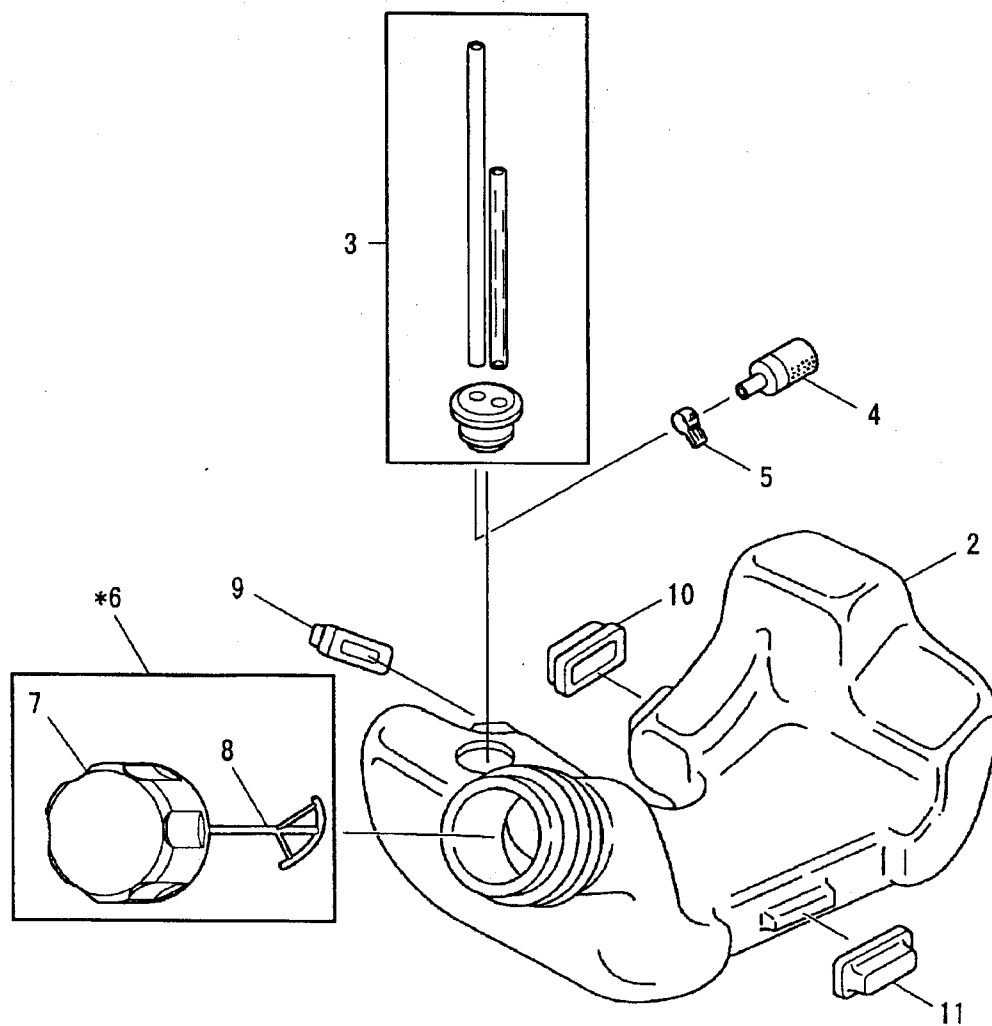


10. MUFFLER



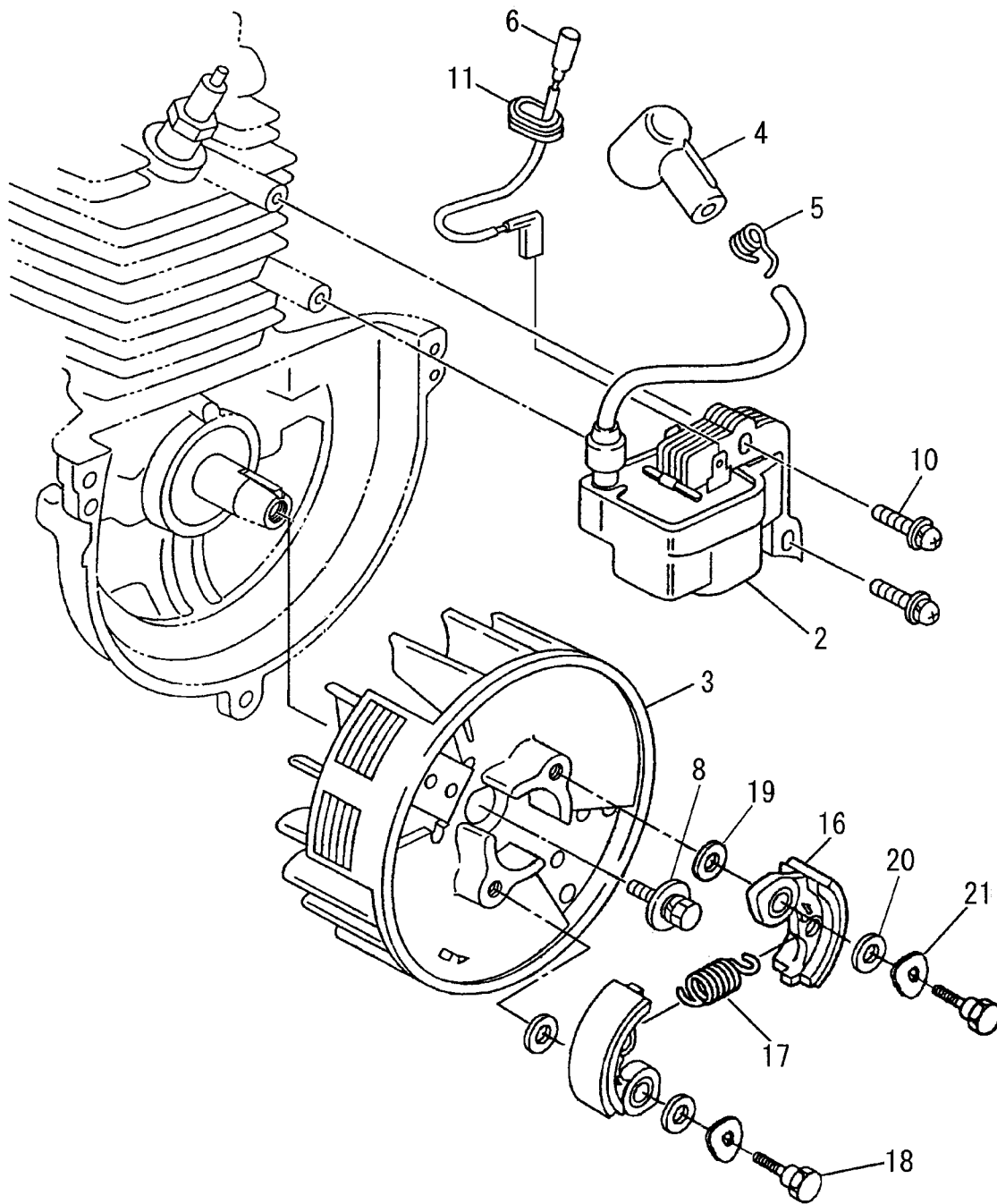


# 11. FUEL TANK





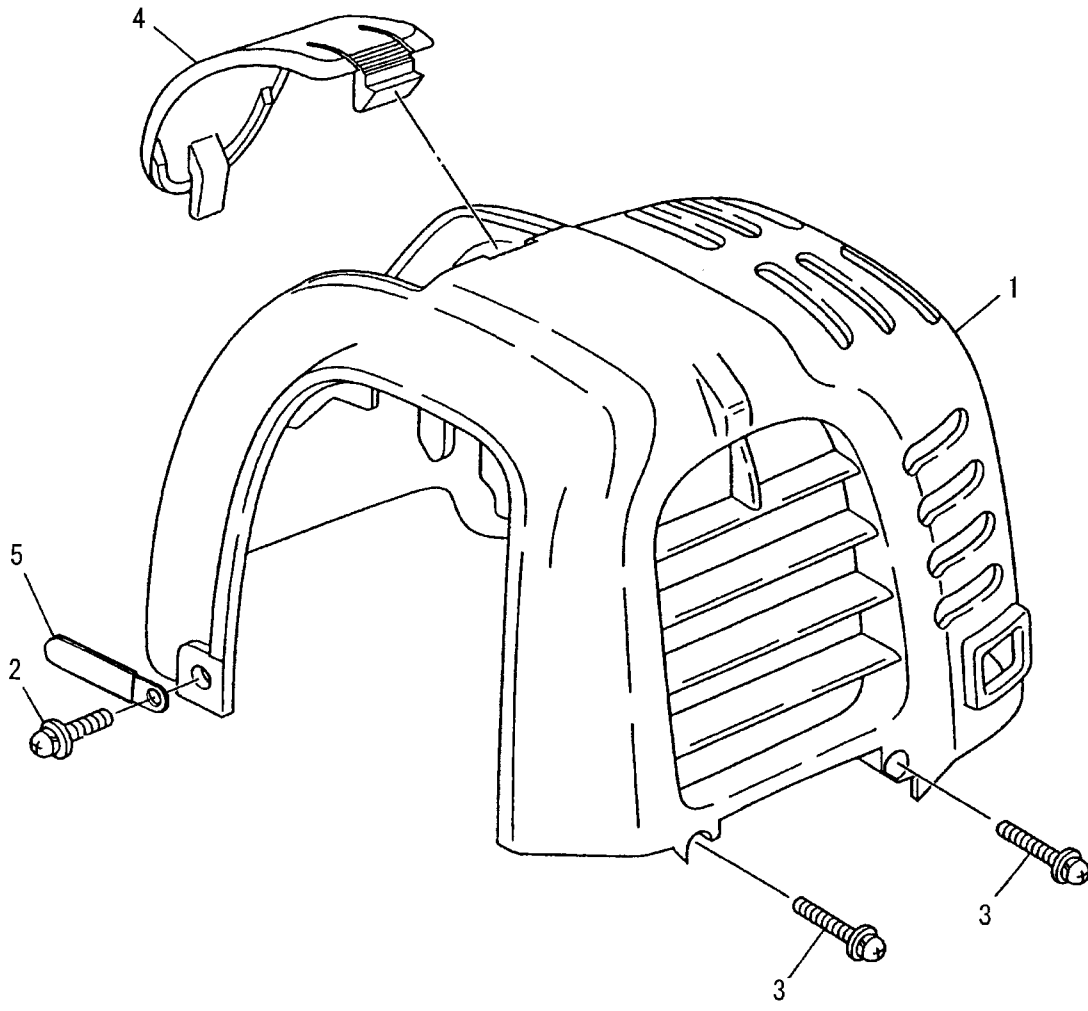
## 12. FLYWHEEL / CLUTCH





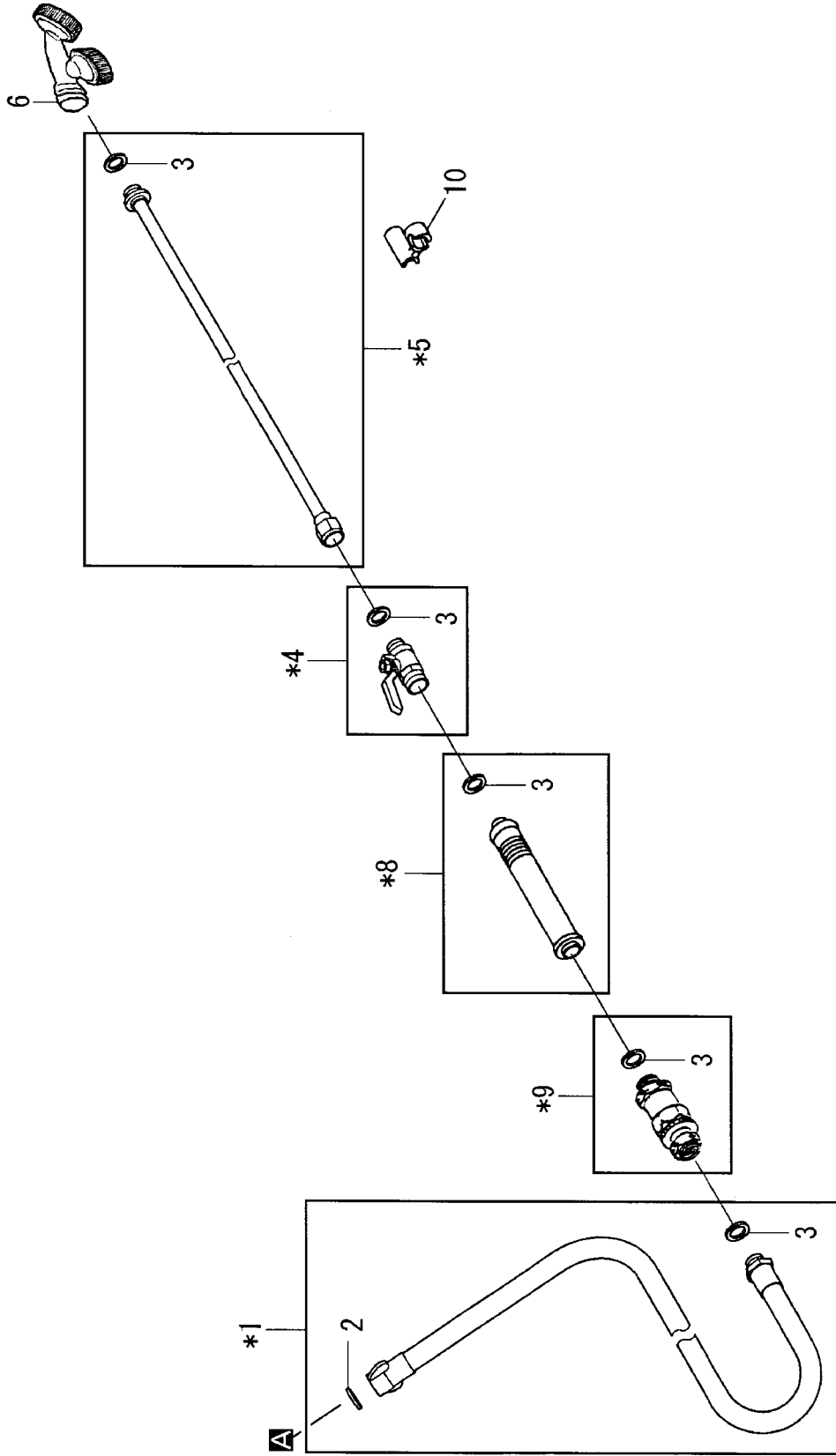


### 13. CYLINDER COVER





# 14. STANDARD ACCESSORY





## 14. STANDARD ACCESSORY

