

PARTS CATALOG

Model BH-K3500

MACHINE BODY

CRANKCASE,

CRANK SHAFT ,
CAMSHAFT ,

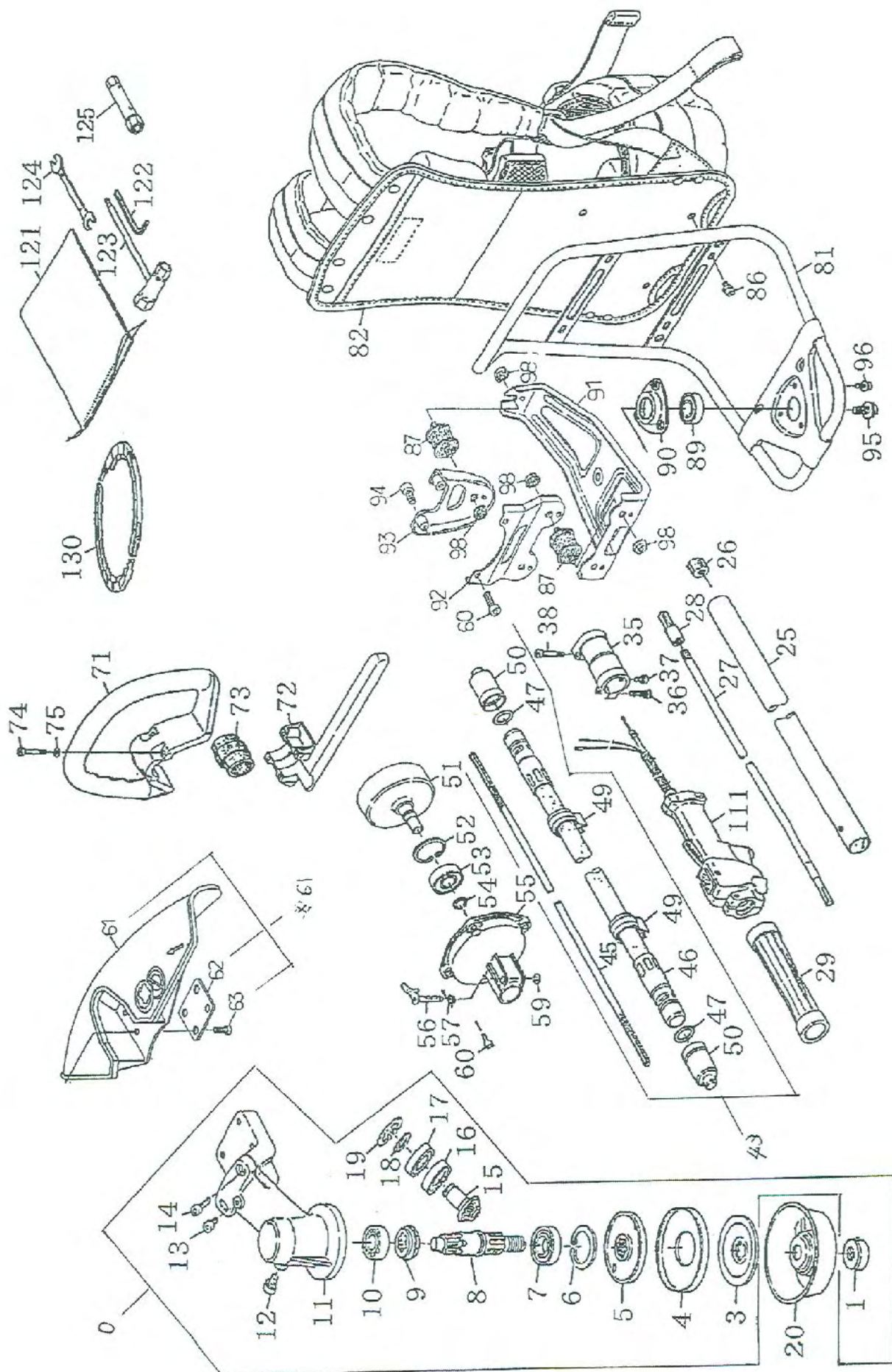
RECOIL STARTER ,
CARBURETOR ASSY ,

AIR CLEANER ASSY ,
MUFFLER EXHAUST ,

TANK FUEL ,
FLYWHEEL&COIL ,

COVER CYLINDER ,

BH-K3500

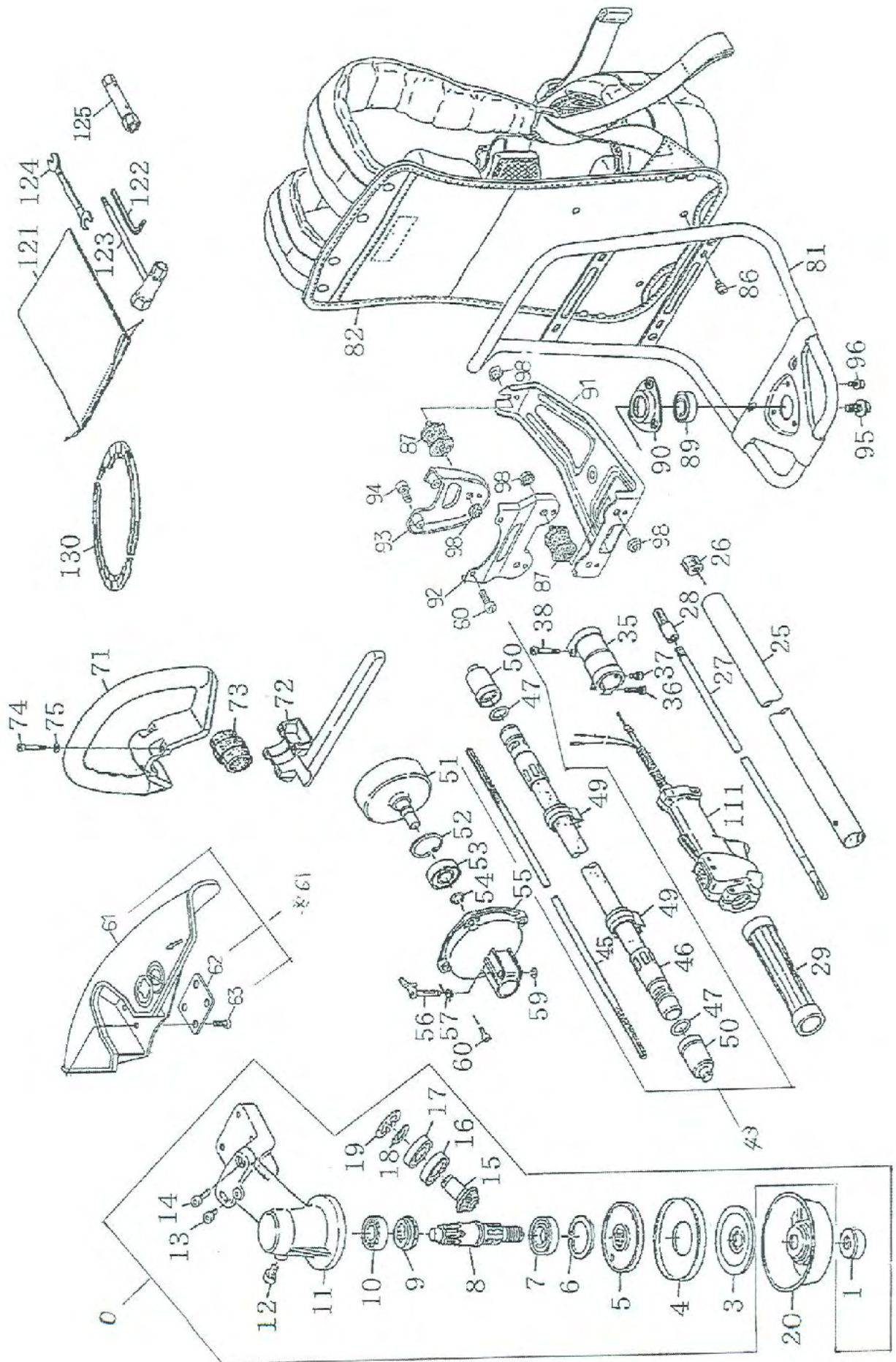


BH-K3500

1.MACHINE BODY

KEY NO.	PART NO	DESCRIPTION	Q'TY	REMARKS
0	177930010	GEAR CASE ASSY	1	1~19
1	174932210	NUT HEX	1	10mm
3	177831300	BLADE CAP	1	
4	108031200	GRASS COVER (B)	1	
5	100531111	BLADE HOLDER	1	
6	045002800	SNAP RING	1	
7	035600103	BALL BEARING	1	#6001LL
8	175030300	GEAR SHAFT	1	
9	140030200	GEAR	1	
10	035600000	BALL BEARING	1	
11	108230120	GEAR CASE	1	
12	065060800	TORX BOLT	1	M6*8
13	065051000	TORX BOLT	1	M5*10
14	065052000	TORX SCREW	2	M5*20
15	140030400	PINION	1	
16	035600000	BALL BEARING	1	
17	035600001	BALL BEARING	1	
18	045001002	SNAP RING (S-10)	1	
19	045002600	SNAP RING (R-26)	1	
20	177831400	NUT COVER	1	
25	102120100	MAIN PIPE COMPL	1	
26	122091211	BUSHING METAL COMPL	8	
27	102121100	DRIVE SHAFT	1	
28	102121200	SHAFT JOINT	1	
29	178724000	COLLAR	1	
35	102119100	CASE JOINT	1	
36	065052000	TORX SCREW	1	M5*20
37	065050810	TORX M5*8 SMALL HEAD	1	
38	065053020	TORX SCREW	1	M5*30
43	103418000	FLEXIBLE SHAFT / LINER ASSY	1	45~50
45	174718500	FLEXIBLE SHAFT	1	
46.47	103418100	FLEXIBLE LINER COMPL	1 SET	
49	102118400	CORD STAY	2	
50	182420300	LINER CAP	2	
51	103311100	CLUTCH DRUM	1	
52	045003500	SNAP RING (R-35)	1	
53	035620202	BALL BEARING	1	6202ZZ
54	045001502	SNAP RING S-15	1	

BH-K3500

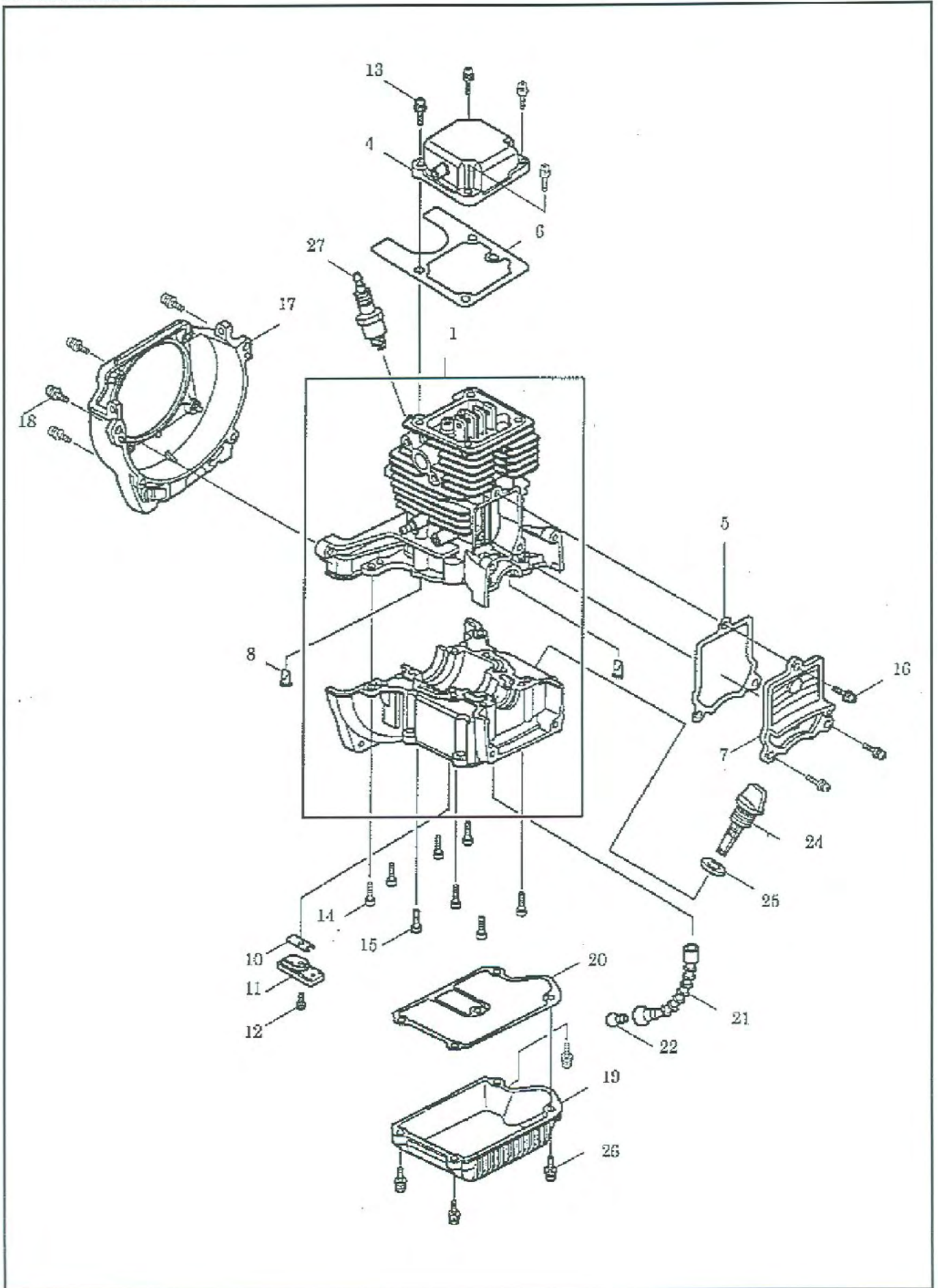


BH-K3500

KEY NO.	PART NO	DESCRIPTION	Q'TY	REMARKS
55	103310100	CLUTCH HOUSING	1	
56	164619300	JOINT PIN COMPL	1	
57	164619600	PIN SPRING	1	
59	045000505	SNAP RING (E-5)	1	
60	065061800	TORX SCREW	4	M6*18
*61	102045000	GUARD ASSY	1 SET	61~63
61	102045100	GUARD	1	
62	115043300	PLATE	1	
63	065052000	TROX SCREW	4	M5*20
71	173148200	LOOP HANDLE	1	
72	174048410	LOOP HANDLE HOLDER	1	
73	173248500	HANDLE RUBBER	1	
74	065053000	TORX SCREW	4	M5*30
75	031050001	PLAIN WASHER 5	4	
81	103415900	FRAME	4	
82	164617600	PAD / BAND COMPL	1	
86	085051209	CS(3)	4	M5*12
87	119115000	AVRUBBER	3	
89	035620102	BALL BEARING	1	#6201ZZ
90	164615811	BEARING COVER	1	
91	106746100	ENGINE STAY	1	
92	106746500	HOUSING STAY	1	
93	106746600	RECOIL STAY	1	
94	065052500	TORX SCREW	2	M5*25
95	014082000	BOLT (3)	1	M8*20
96	085051209	CS(3)	3	M5*12
98	030061400	F-NUT	6	M6
111	099819600	THROTTLE LEVER ASSY	1	
112	060000019	TOOL BAG (BLUE)	1	
122	060040000	ALLEN WRENCH	1	4mm
123	060000015	COM. WRENCH, TORX DRIVER	1	13*19
124	302040600	SPANNER	1	8*10
125	060000026	PLUG SOCKET	1	16*19
130	186055010	BLADE COVER	1	

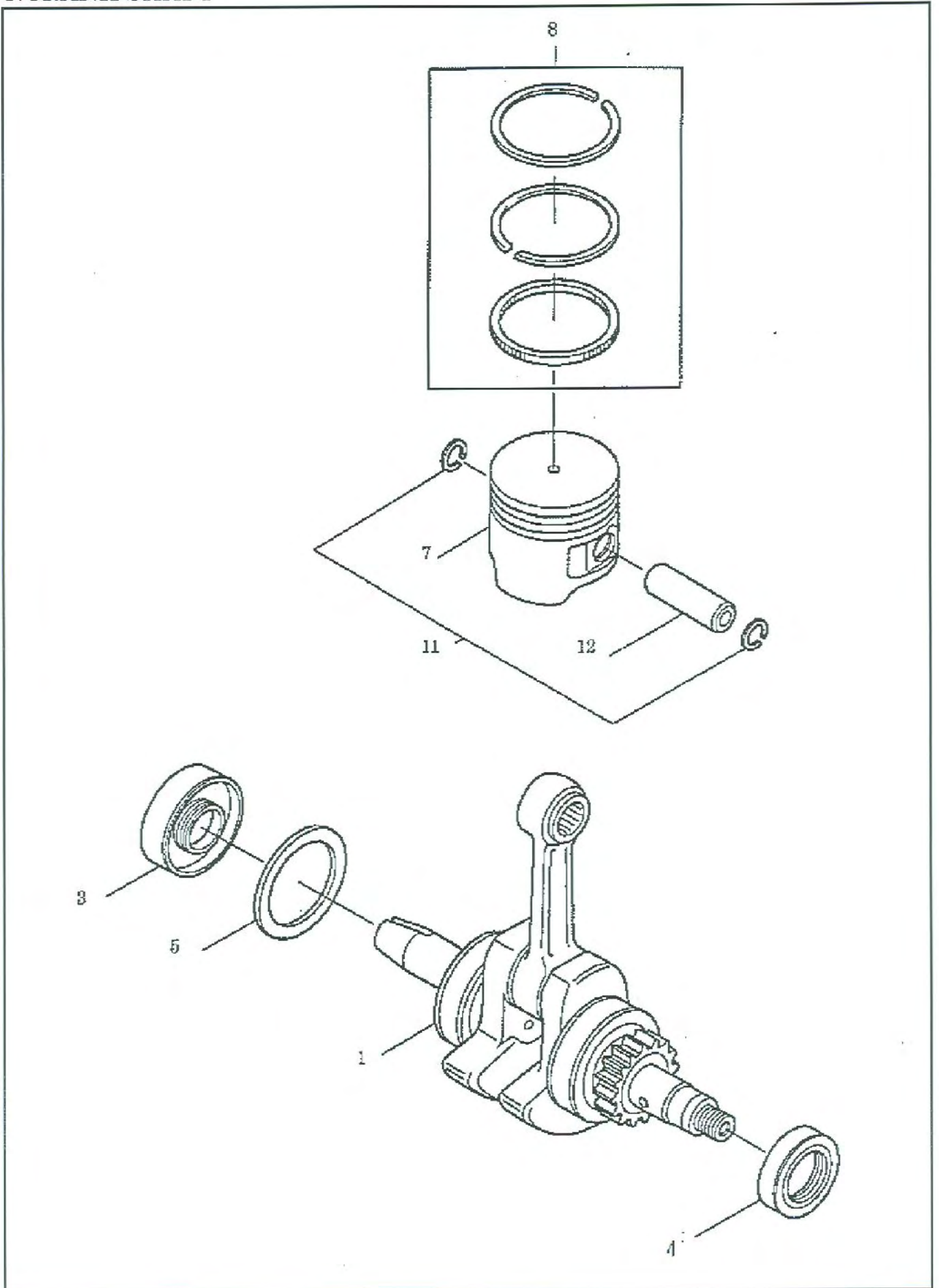
BH-K3500

2. CRANK CASE



BH-K3500

3. CRANK SHAFT

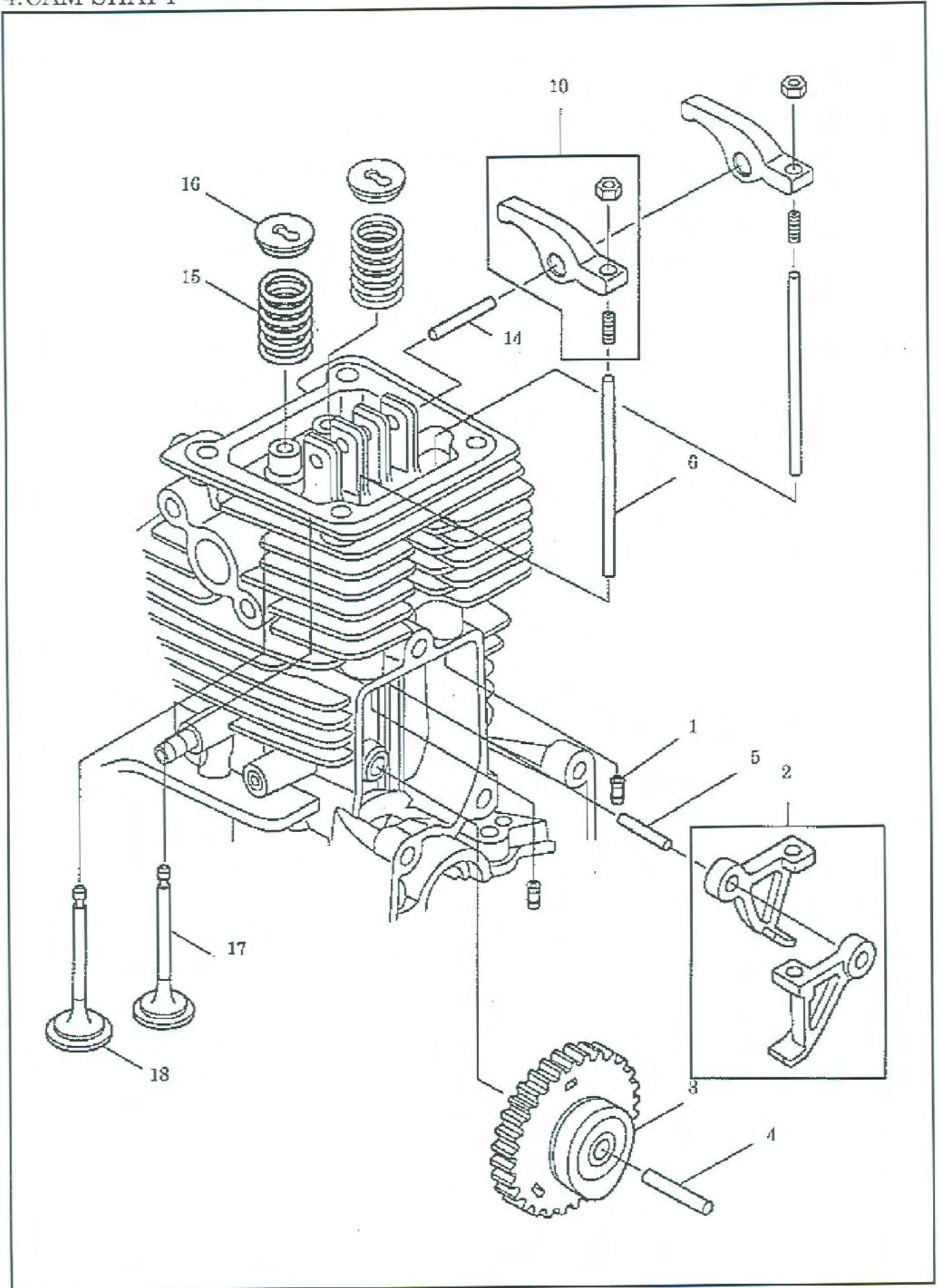


BH-K3500

3. CRANK SHAFT

KEY NO.	PART NO.	DESCRIPTION		Q'TY	REMARKS
1	5932003000-1	CRANK SHAFT COMPL		1	
3	0440129950	OIL SEAL(L)		1	TC12327
4	0440109970	OIL SEAL(S)		1	TC10205
5	5932501000	CLIP		1	
7	5932500400	PISTON		1	
8	5932004000	PISTON RING SET		1	
11	0565099990	CLIP		2	
12	5932500900	PIN,PISTON		1	

4. CAM SHAFT

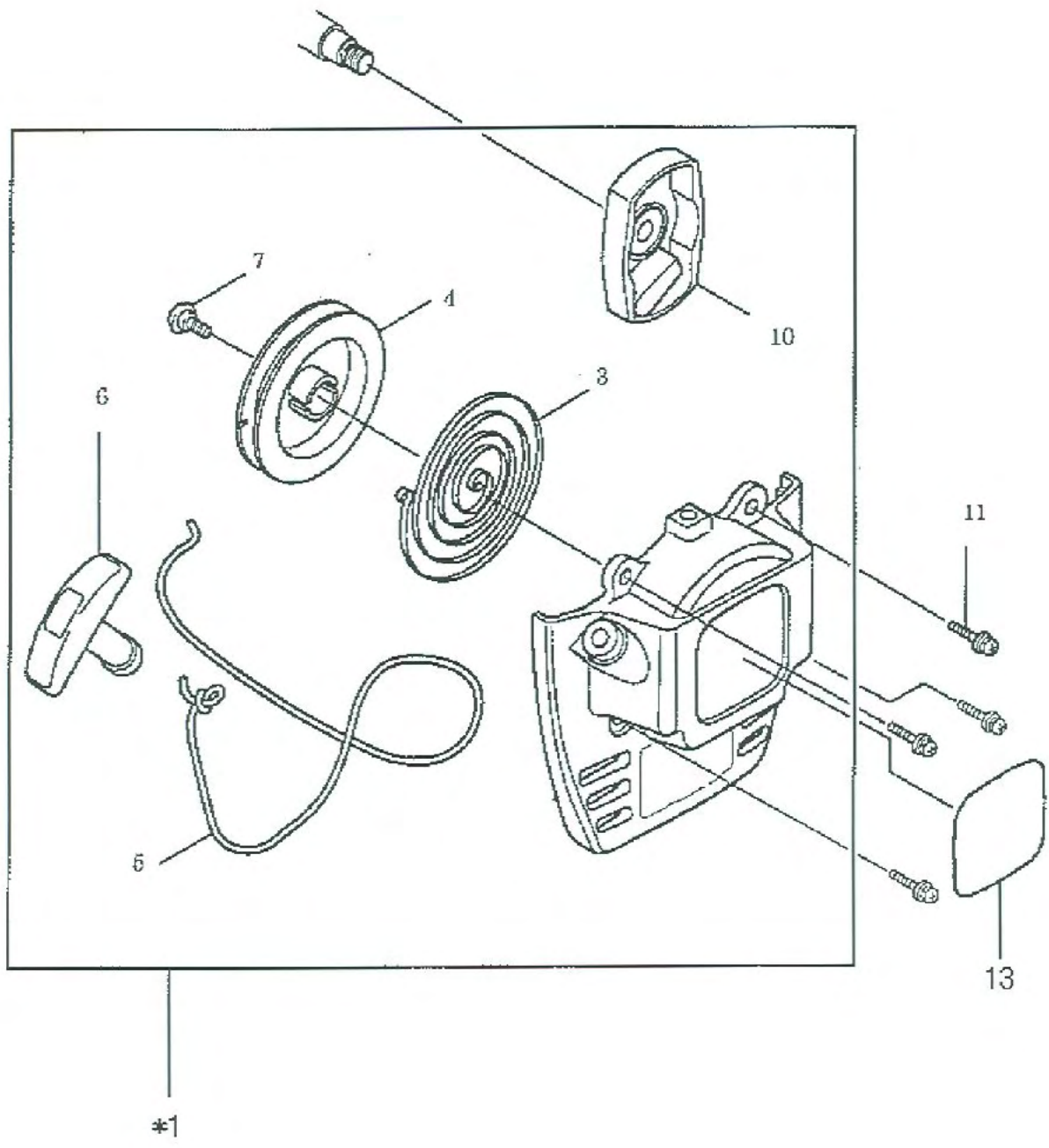


BH-K3500

4.CAM SHAFT

KEY NO.	PART NO.	DESCRIPTION		Q'TY	REMARKS
1	5921501400	SPACER		2	
2	5923500001-1	CAMLIFTER		2	
3	5933003000	CAMGEAR ASSY		1	
4	5923500501	SHAFT,CAMGEAR		1	ϕ 5×21.8
5	5923500600	SHAFT,CAMLIFTER		1	ϕ 4×15.8
6	5933500000	PUSH ROD		2	
10	5933002000	ROCKER ARM ASSY		2	
14	5933500100	ROCKER SHAFT		1	ϕ 5×31.8
15	5933500200	VALVE SPRING		2	
16	5933500300	RETAINER,SPRING		2	
17	5933500400	EXHAUST VALVE		1	
18	5933500500	INTAKE VALVE		1	

5.RECOIL STARTER

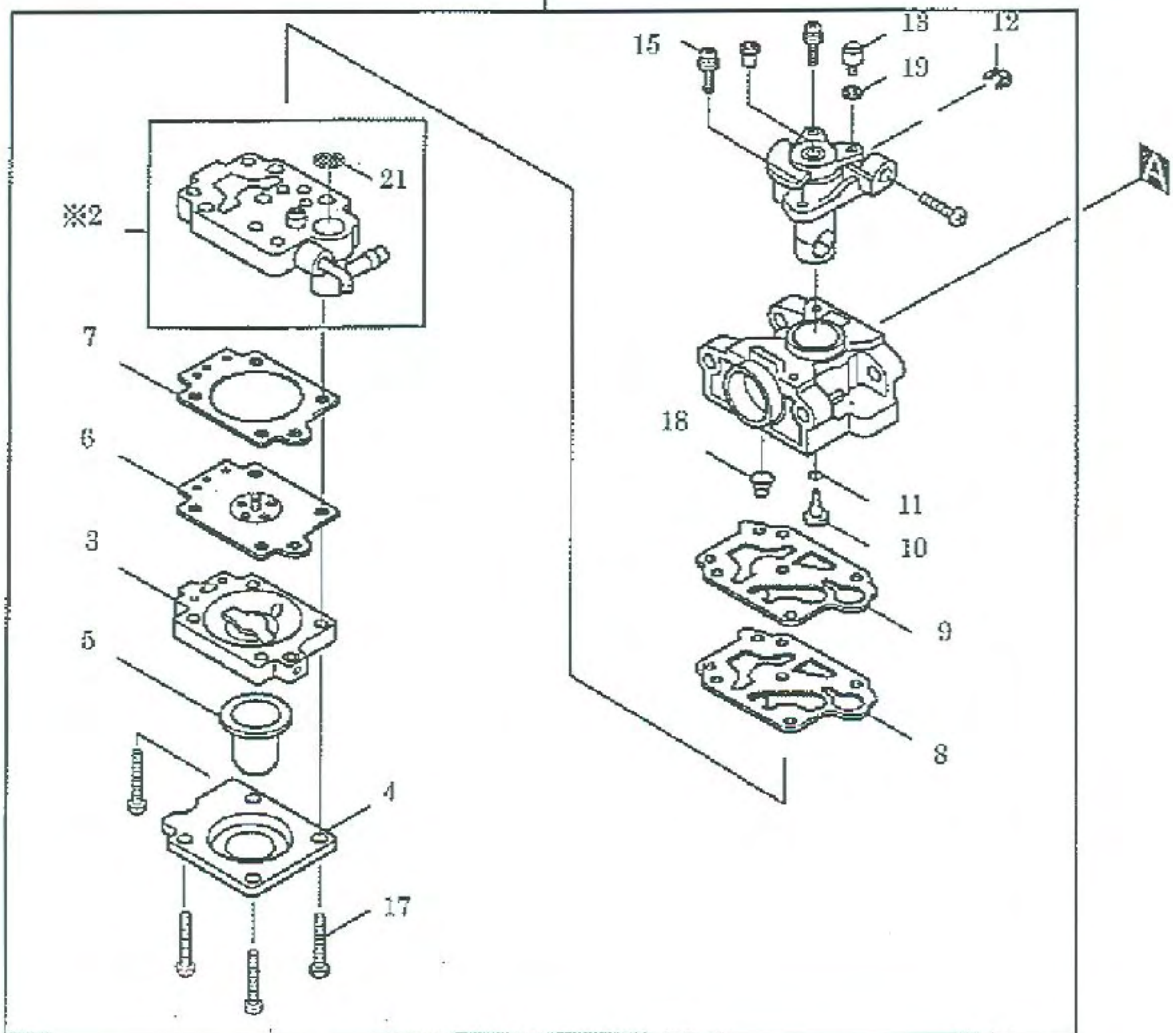
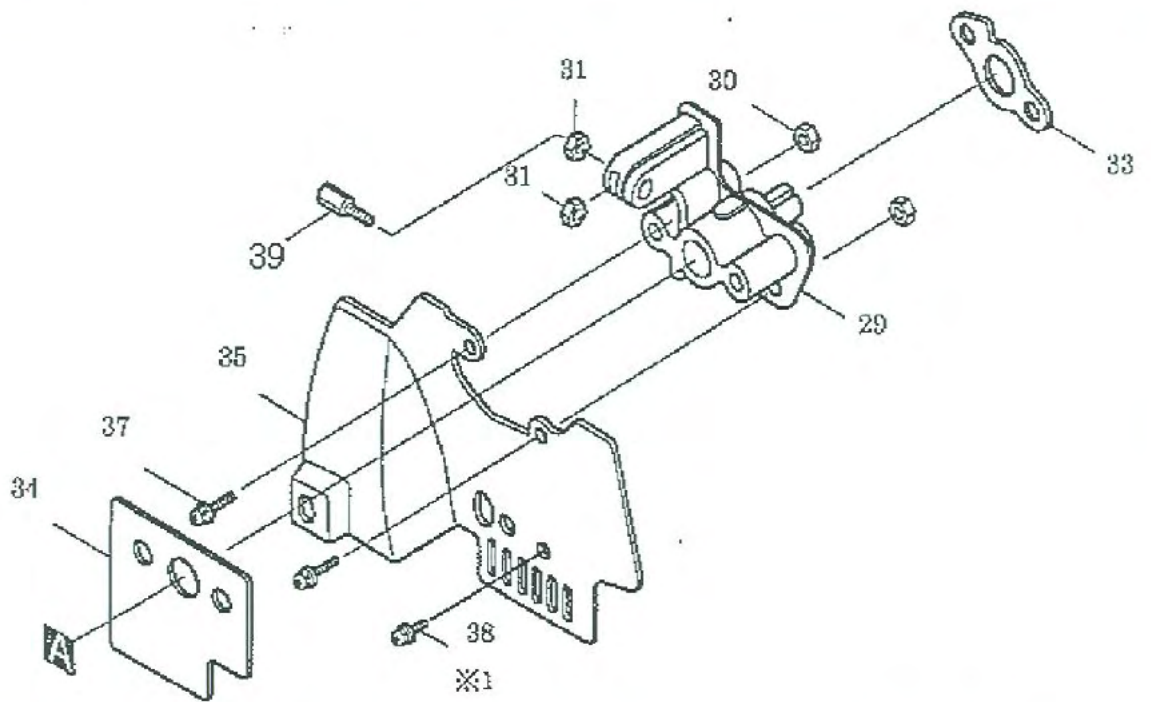


BH-K3500

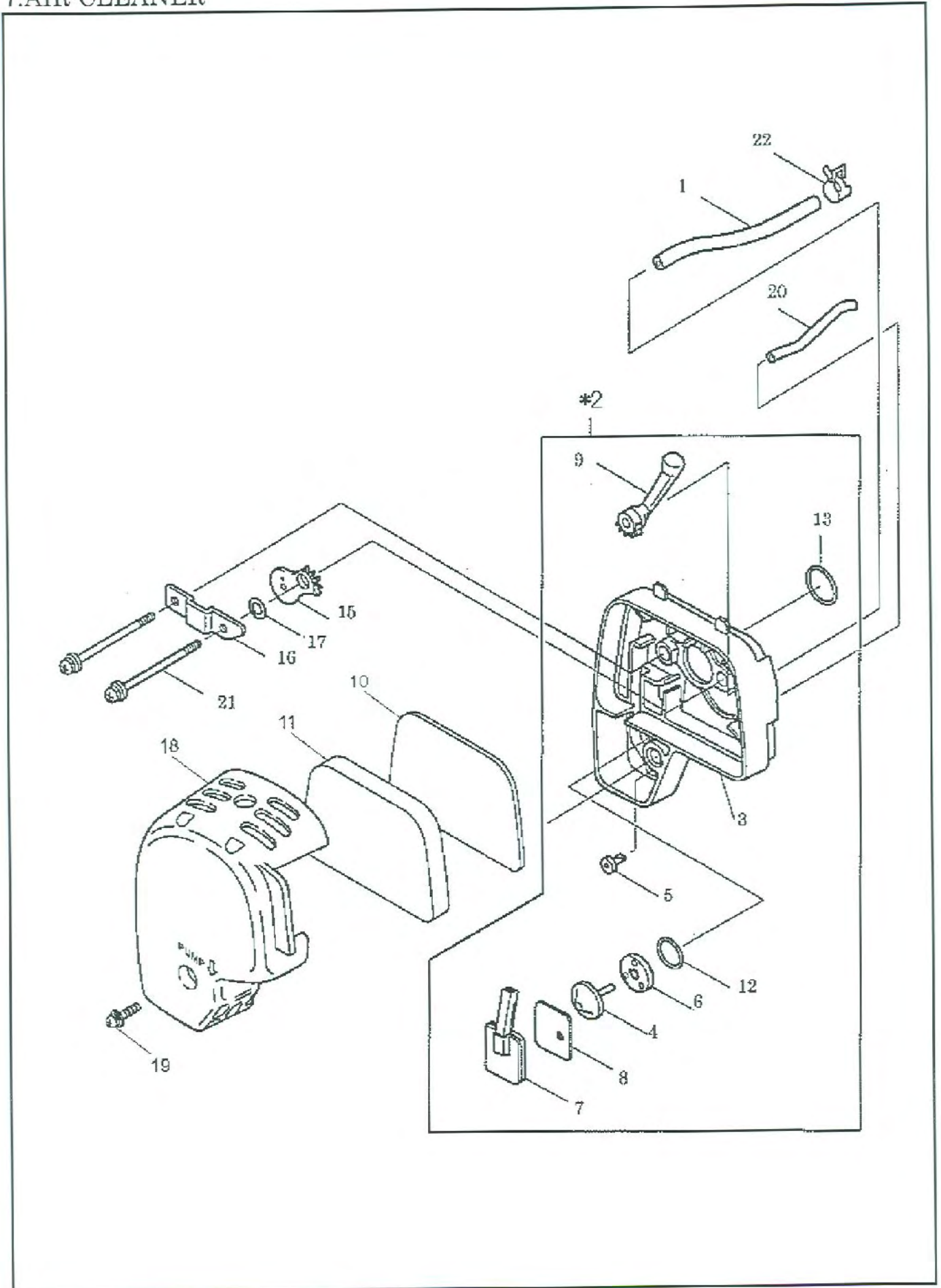
5.RECOIL STARTER

KEY NO.	PART NO.	DESCRIPTION		Q'TY	REMARKS
*1	5935002000	COVER STARTER ASSY		1	incl.2 & 10
3	5025001020	SPIRAL SPRING		1	
4	5315022020	REEL		1	
5	5315022040	STARTER ROPE		1	
6	5215002110	STARTER KNOB		1	
7	5425003010	SET SCREW		1	
10	5315023000	PULLEY		1	
11	0140059480	SCREW ASSEMBLY		4	M5×14 W,SW

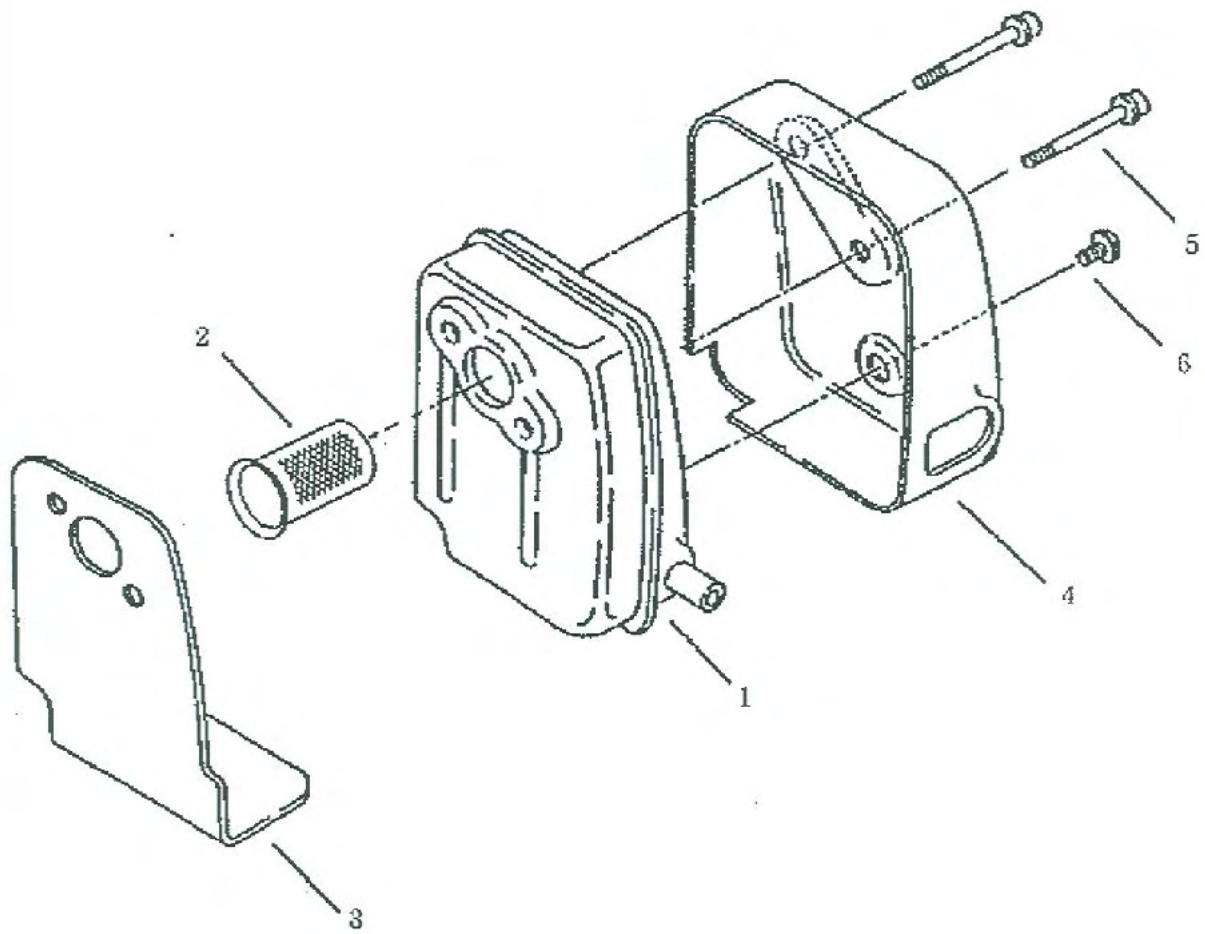
6. CARBURETOR



7. AIR CLEANER



8.MUFFLER EXHAUST

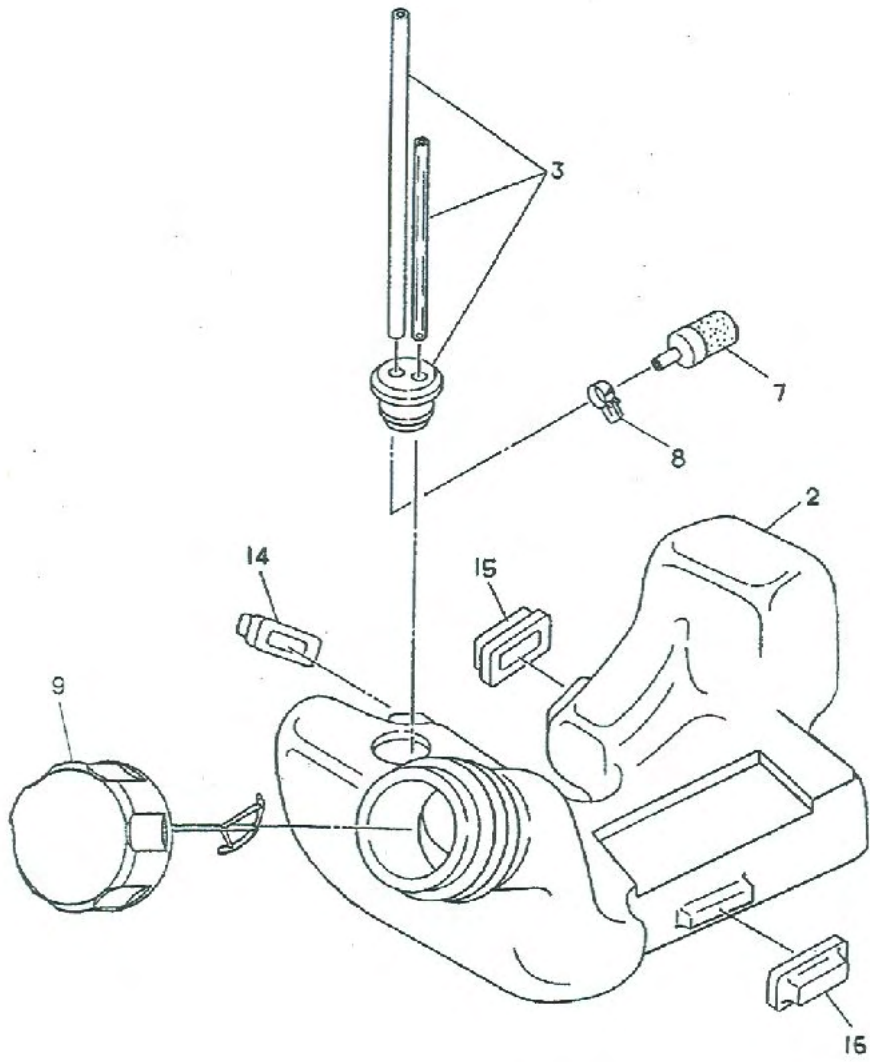


BH-K3500

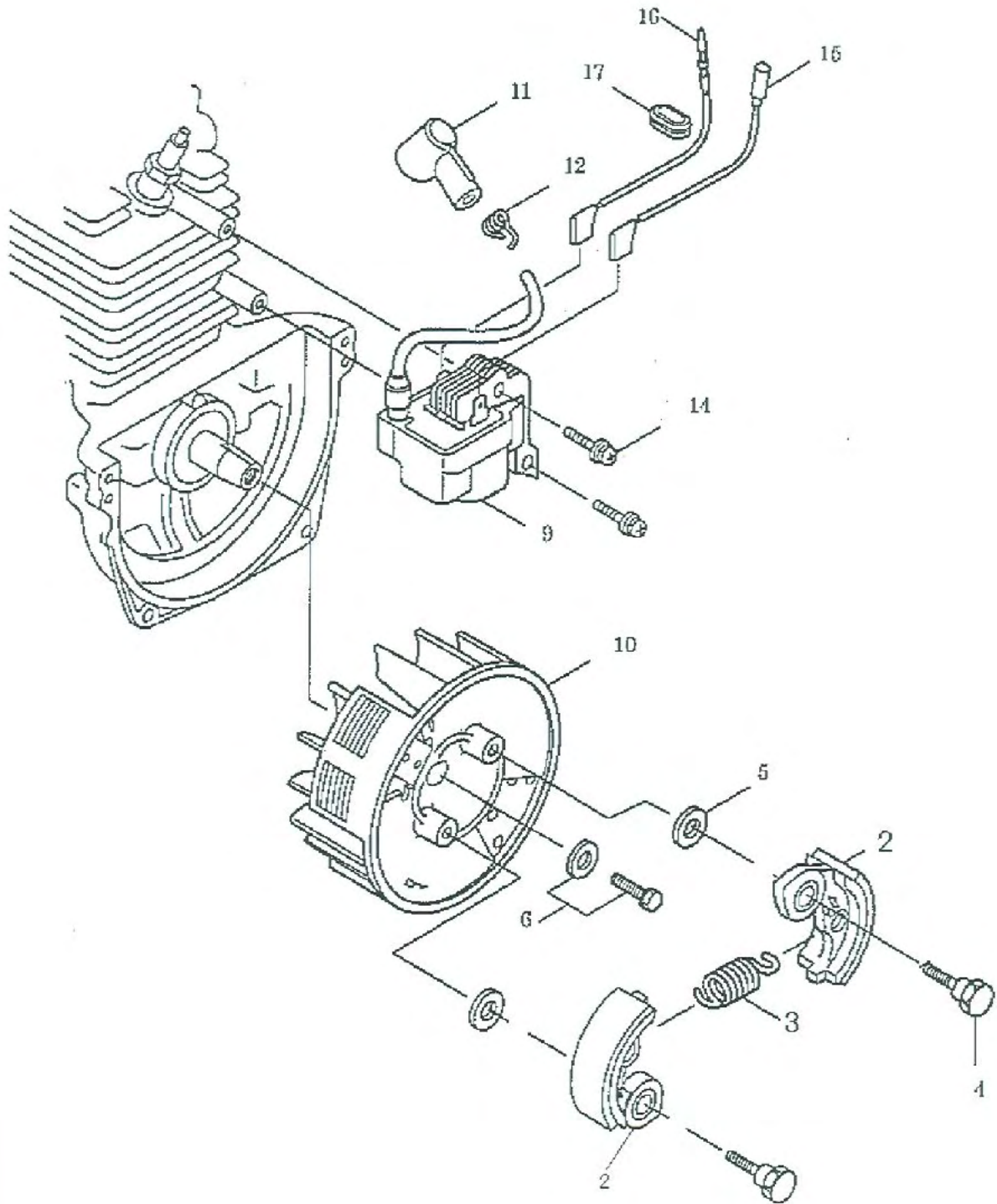
8.MUFFLER EXHAUST

KEY NO.	PART NO.	DESCRIPTION		Q'TY	REMARKS
1	5923001000-1	MUFFLER, EXHAUST		1	
2	5923008010	SPARK ARRESTER		1	
3	5923501601	GASKET, MFFLER		1	
4	5923503400	COVER, MUFFLER		1	
5	0119059520	SOCKET HEAD BOLT		2	M5×40 W
6	0140059962	SCREW		1	M5×5

9.TANK FUEL



10. FLYWHEEL&COIL



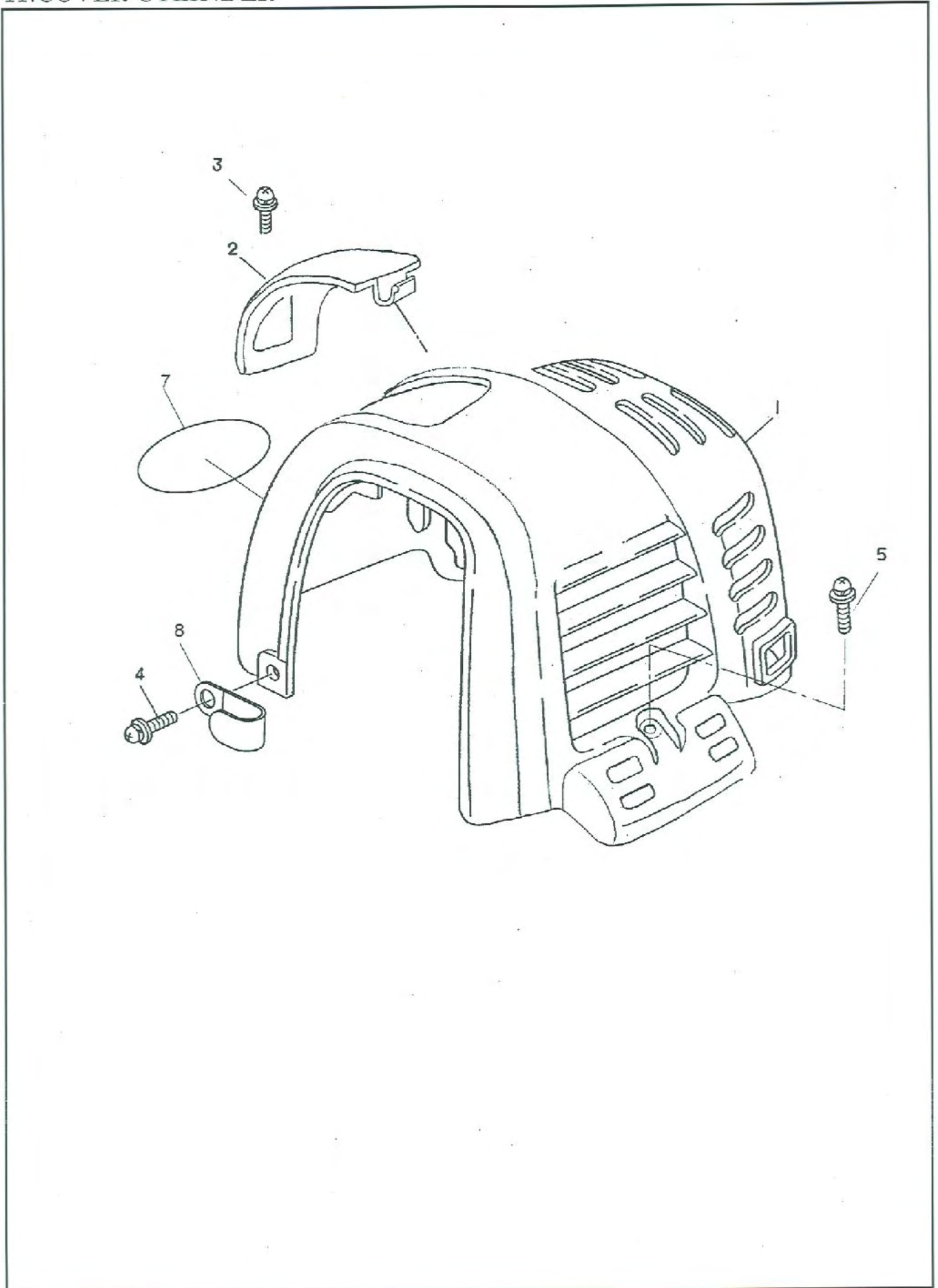
BH-K3500

10.FLYWHEEL&COIL

KEY NO.	PART NO.	DESCRIPTION		Q'TY	REMARKS
2	5318003010	SHOE,CLUTCH		2	
3	5318003020	SPRING,CLUTCH		1	
4	5938500000	BOLT,CLUTCH		2	
5	0200089800	WASHER		2	
6	0130069940	BOLT ASSEMBLY		1	M6×16 W,SW
9	5937001010	IGNITION COIL		1	
10	5937001020	FLYWHEEL CP		1	
11	5927500100	CAP,PLUG		1	
12	0654009931	SPRING,PLUG CAP		1	
14	0140049920	SCREW		2	M4×20 W,SW
15	5257018001-2	WIRE COMPL		1	Female Terminal
16	5927003000	WIRE COMPL		1	Male Terminal
17	5257500300	GROMMET		1	

BH-K3500

11. COVER CYLINDER



BH-K3500

11. COVER CYLINDER

KEY NO.	PART NO.	DESCRIPTION		Q'TY	REMARKS
1	5935500300	COVER CYLINDER		1	
2	5935500500	COVER PLUG		1	
3	0140059920	SCREW		1	M5x8
4	0043605120	SCREW ASSEMBLY		2	M5x12 W SW
5	0140059480	SCREW ASSY		1	M5x14 W SW
8	0566059980	CLAMP		1	