

Jeu soupapes : adm. ⇒ C,20
échap ⇒ C,35



PARTS CATALOG

Model BH3600AU (CE SPEC.)
BH3500AU/A (CE SPEC.)

MACHINE BODY,

CONTROL LEVER ASSY,
CRANKCASE,

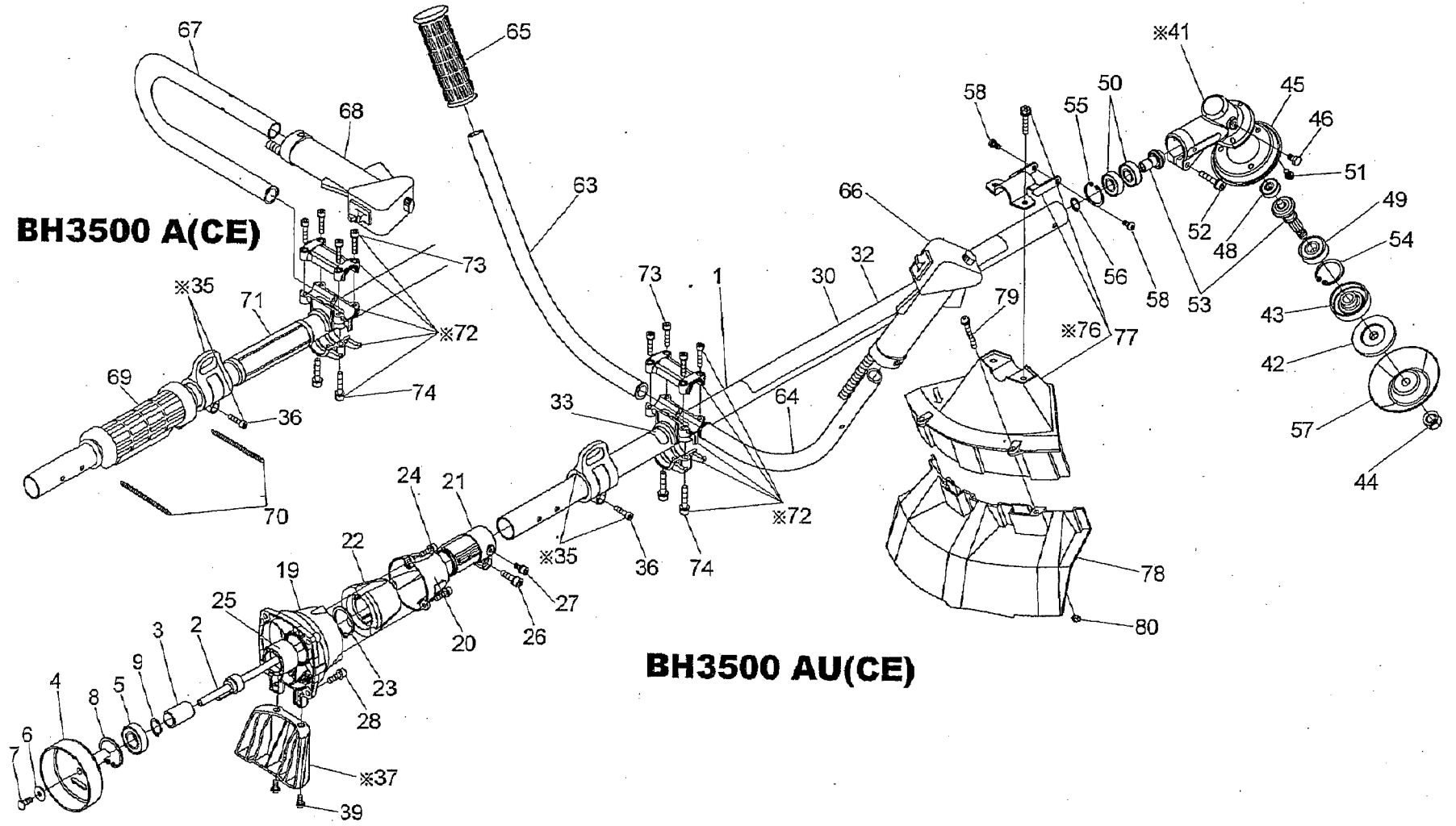
CRANK SHAFT ,
CAMSHAFT ,

STARTER ASSY ,
CLUTCH ,

CARBURETOR ASSY ,
AIR CLEANER ASSY ,

MUFFLER EXHAUST ,
TANK FUEL ,

FLYWHEEL&COIL ,
COVER CYLINDER ,



BH3600AU, BH3500A/AU PARTS LIST

KEY NO.	PART NO.	DESCRIPTION	Q'TY			REMARKS
			BH3600	BH3500		
				AU	A	
1	6341001000	PIPE SHAFT COMPL	1	1	1	
2	6341003000	SHAFT COMPL	1	1	1	
3	6411008000	DAMPER	1	1	1	
4	6342002000	DRUM CLUTCH COMPL	1	1	1	
5	0600179810	BALL BEARING	1	1	1	6003DDU
6	6202500600	WASHER	1	1	1	
7	6202500400	BOLT	1	1	1	
8	0031435000	SNAPRING INNER	1	1	1	
9	0031517000	SNAPRING OUTER	1	1	1	
11	6341500700-1	CASE CLUTCH	1			
12	6344001010	BRACKET HANDLE 1	1			
13	6344001020	BRACKET HANDLE 2	1			
14	6344001030	DAMPER	4			
15	6344001040	BOLT HANDLE	1			
16	6344001050	HOLDER HANDLE 1	1			
17	6344001060	HOLDER HANDLE 2	1			
18	6341500800	SPACER	1			
19	6341500200-1	CASE CLUTCH 1		1	1	
20	6341500300	CASE CLUTCH 2		1	1	
21	6341500400	BRACKET PIPE		1	1	
22	6341500500	DAMPER PIPE		1	1	
23	0031532000	SNAPRING OUTER		1	1	
24	0119059950	SOCKET HEAD BOLT		3	3	M5x18 SW
25	6341500600	SPACER		1	1	
26	0119069750	SOCKET HEAD BOLT	1	1	1	M6x22 SW
27	0119059460	SOCKET HEAD BOLT	1	1	1	M5x8 SW
28	0119069750	SOCKET HEAD BOLT	4	4	4	M6x22 SW
30	6349005010	LABEL CAUTION		1		
31	6349006010	LABEL CAUTION	1			
32	6349014010	LABEL CAUTION			1	
33	6259514700-1	LABEL CAUTION		1		
*35	6347001000-1	HANGER ASSY		1	1	Incl.37
36	0119059720	SOCKET HEAD BOLT		1	1	M5x20
*37	5219002000	STAND SET	1	1	1	Incl.39
39	0140059480	SCREW ASSY	2	2	2	M5x14 W SW
*41	6343004000	CASE GEAR ASSY	1	1	1	Incl.42 to 56
42	6343004010	WASHER CLAMP	1	1	1	
43	6343004020	WASHER RECEIVE	1	1	1	
44	6343004030	NUT	1	1	1	M10
45	6343004040	GUARD	1	1	1	

MACHINE BODY

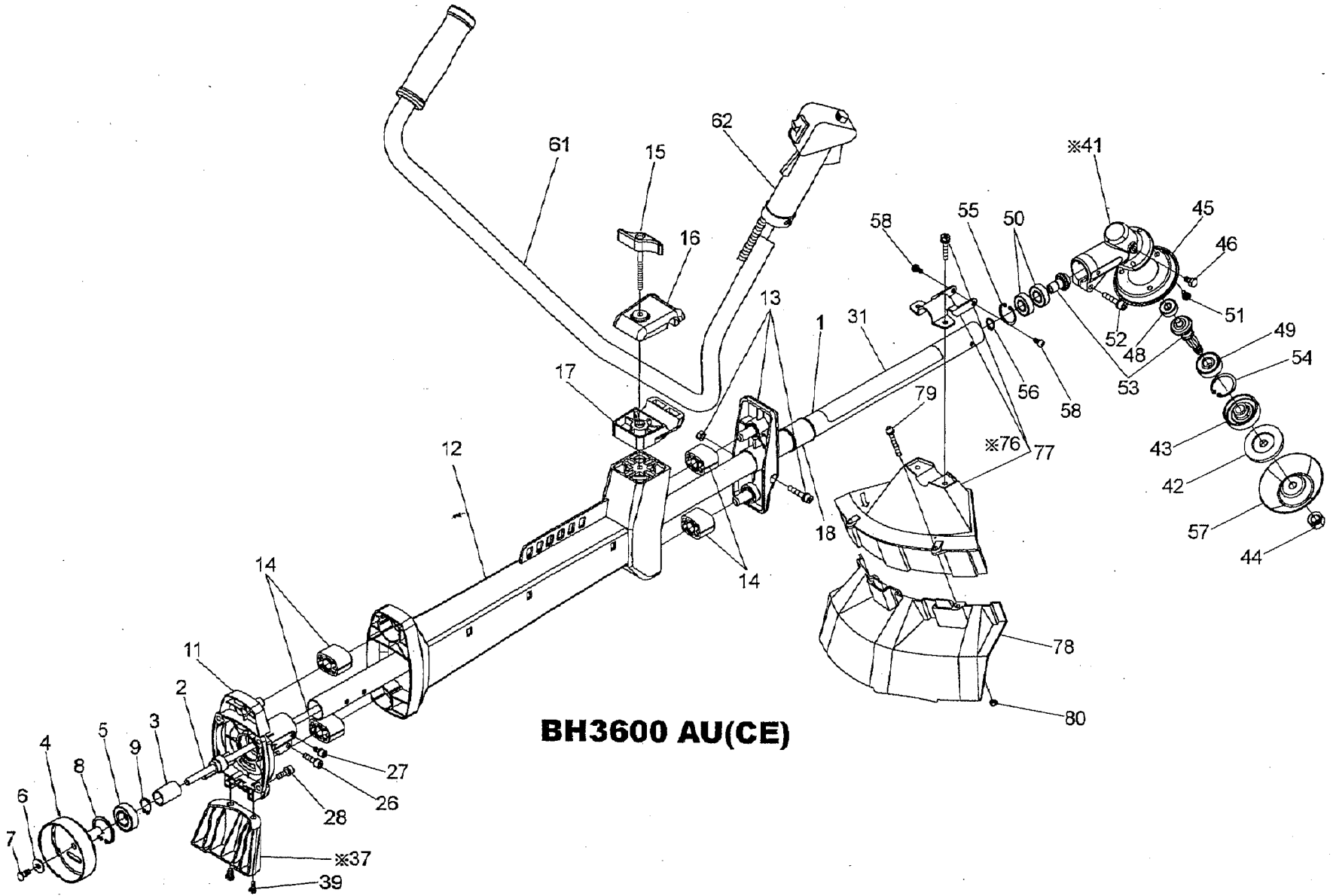
FUJIROBIN INDUSTRIES LTD.

BH3600AU,BH3500A/AU PARTS LIST

KEY NO.	PART NO.	DESCRIPTION	Q'TY			REMARKS
			BH3600	BH3500		
				AU	A	
46	6343004050	BOLT OIL	1	1	1	
48	6343004110	BALL BEARING	1	1	1	#629
49	0600129950	BALL BEARING	1	1	1	#6201 DDU
50	0600109940	BALL BEARING	2	2	2	#6000 ZZ
51	0043505100	SCREW ASSEMBLY	3	3	3	M5x10 SW
52	6343004160	SOCKET HEAD BOLT	1	1	1	M6x30 W SW
53	6343005000	SHAFT CUTTER SET	1	1	1	
54	0031432000	SNAPRING INNER	1	1	1	
55	0031510000	SNAPRING OUTER	1	1	1	
56	0031426000	SNAPRING INNER	1	1	1	
57	6343500200	CUP	1	1	1	
58	0043505120	SCREW ASSEMBLY	2	2	2	M5x12 SW
61	6344002000	HANDLE COMPL	1			
62	6345003001	CONTROL LEVER ASSY	1			
63	6274500901	HANDLE		1		
64	6274501200	HANDLE		1		
65	6414501400	GRIP		1		
66	6345002001	CONTROL LEVER ASSY		1		
67	6344500000	HANDLE			1	
68	6345004000	CONTROL LEVER ASSY			1	
69	6414504000	GRIP			1	
70	6414507000	SPRING			2	
71	6341501000	SPACER			1	
*72	6344003000	HOLDER HANDLE ASSY		1	1	Incl.73,74
73	0119059840	SOCKET HEAD BOLT		4	4	M5x25 SW
74	0119069740	SOCKET HEAD BOLT		2	2	M6x30 SW
*76	6348001000	PROTECTOR ASSY	1	1	1	Incl.77 to 80
77	6348002000	PROTECTOR ASSY	1	1	1	
78	6258053001	PROTECTOR COMPL	1	1	1	
79	0043605400	SCREW ASSEMBLY	2	2	2	M5x40 W SW
80	0021805000	NUT	2	2	2	M5
80	6344500000	Pointe de tube				

CONTROL LEVER ASSY

FUJIROBIN INDUSTRIES LTD.



BH3600 AU(CE)

BH3600AU, BH3500A/AU PARTS LIST

KEY NO.	PART NO.	DESCRIPTION	Q'TY			REMARKS
			BH3600	BH3500		
				AU	A	
1	6341001000	PIPE SHAFT COMPL	1	1	1	
2	6341003000	SHAFT COMPL	1	1	1	
3	6411008000	DAMPER	1	1	1	
4	6342002000	DRUM CLUTCH COMPL	1	1	1	
5	0600179810	BALL BEARING	1	1	1	6003DDU
6	6202500600	WASHER	1	1	1	
7	6202500400	BOLT	1	1	1	
8	0031435000	SNAPRING INNER	1	1	1	
9	0031517000	SNAPRING OUTER	1	1	1	
11	6341500700-1	CASE CLUTCH	1			
12	6344001010	BRACKET HANDLE 1	1			
13	6344001020	BRACKET HANDLE 2	1			
14	6344001030	DAMPER	4			
15	6344001040	BOLT HANDLE	1			
16	6344001050	HOLDER HANDLE 1	1			
17	6344001060	HOLDER HANDLE 2	1			
18	6341500800	SPACER	1			
19	6341500200-1	CASE CLUTCH 1		1	1	
20	6341500300	CASE CLUTCH 2		1	1	
21	6341500400	BRACKET PIPE		1	1	
22	6341500500	DAMPER PIPE		1	1	
23	0031532000	SNAPRING OUTER		1	1	
24	0119059950	SOCKET HEAD BOLT		3	3	M5x18 SW
25	6341500600	SPACER		1	1	
26	0119069750	SOCKET HEAD BOLT	1	1	1	M6x22 SW
27	0119059460	SOCKET HEAD BOLT	1	1	1	M5x8 SW
28	0119069750	SOCKET HEAD BOLT	4	4	4	M6x22 SW
30	6349005010	LABEL CAUTION		1		
31	6349006010	LABEL CAUTION	1			
32	6349014010	LABEL CAUTION			1	
33	6259514700-1	LABEL CAUTION		1		
*35	6347001000-1	HANGER ASSY		1	1	Incl.37
36	0119059720	SOCKET HEAD BOLT		1	1	M5x20
*37	5219002000	STAND SET	1	1	1	Incl.39
39	0140059480	SCREW ASSY	2	2	2	M5x14 W SW
*41	6343004000	CASE GEAR ASSY	1	1	1	Incl.42 to 56
42	6343004010	WASHER CLAMP	1	1	1	
43	6343004020	WASHER RECEIVE	1	1	1	
44	6343004030	NUT	1	1	1	M10
45	6343004040	GUARD	1	1	1	

MACHINE BODY

FUJIROBIN INDUSTRIES LTD.

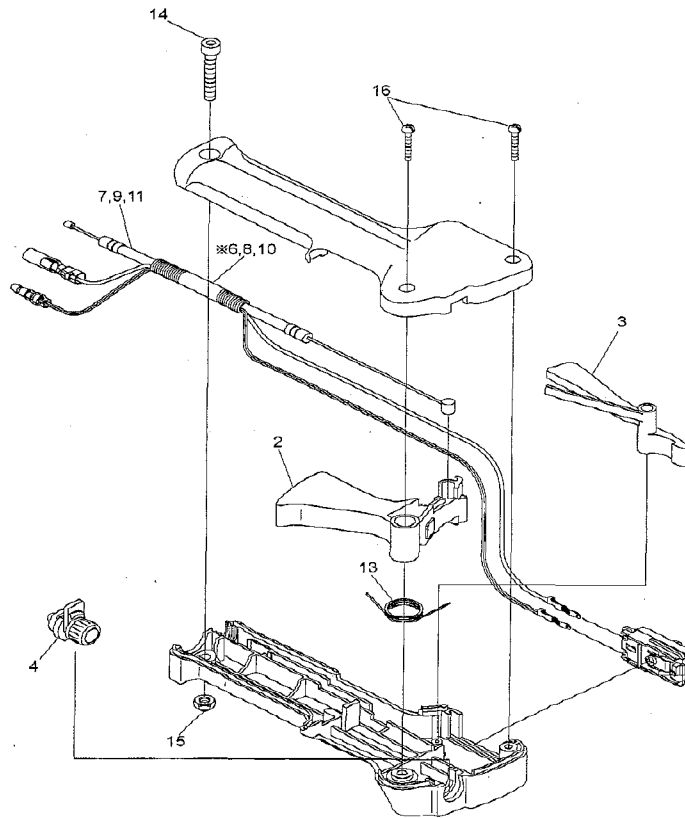
BH3600AU,BH3500A/AU PARTS LIST

KEY NO.	PART NO.	DESCRIPTION	Q'TY			REMARKS
			BH3600	BH3500		
				AU	A	
46	6343004050	BOLT OIL	1	1	1	
48	6343004110	BALL BEARING	1	1	1	#629
49	0600129950	BALL BEARING	1	1	1	#6201 DDU
50	0600109940	BALL BEARING	2	2	2	#6000 ZZ
51	0043505100	SCREW ASSEMBLY	3	3	3	M5x10 SW
52	6343004160	SOCKET HEAD BOLT	1	1	1	M6x30 W SW
53	6343005000	SHAFT CUTTER SET	1	1	1	
54	0031432000	SNAPRING INNER	1	1	1	
55	0031510000	SNAPRING OUTER	1	1	1	
56	0031426000	SNAPRING INNER	1	1	1	
57	6343500200	CUP	1	1	1	
58	0043505120	SCREW ASSEMBLY	2	2	2	M5x12 SW
61	6344002000	HANDLE COMPL	1			
62	6345003001	CONTROL LEVER ASSY	1			
63	6274500901	HANDLE		1		
64	6274501200	HANDLE		1		
65	6414501400	GRIP		1		
66	6345002001	CONTROL LEVER ASSY		1		
67	6344500000	HANDLE			1	
68	6345004000	CONTROL LEVER ASSY			1	
69	6414504000	GRIP			1	
70	6414507000	SPRING			2	
71	6341501000	SPACER			1	
*72	6344003000	HOLDER HANDLE ASSY		1	1	Incl.73,74
73	0119059840	SOCKET HEAD BOLT		4	4	M5x25 SW
74	0119069740	SOCKET HEAD BOLT		2	2	M6x30 SW
*76	6348001000	PROTECTOR ASSY	1	1	1	Incl.77 to 80
77	6348002000	PROTECTOR ASSY	1	1	1	
78	6258053001	PROTECTOR COMPL	1	1	1	
79	0043605400	SCREW ASSEMBLY	2	2	2	M5x40 W SW
80	0021805000	NUT	2	2	2	M5

CONTROL LEVER ASSY

FUJIROBIN INDUSTRIES LTD.

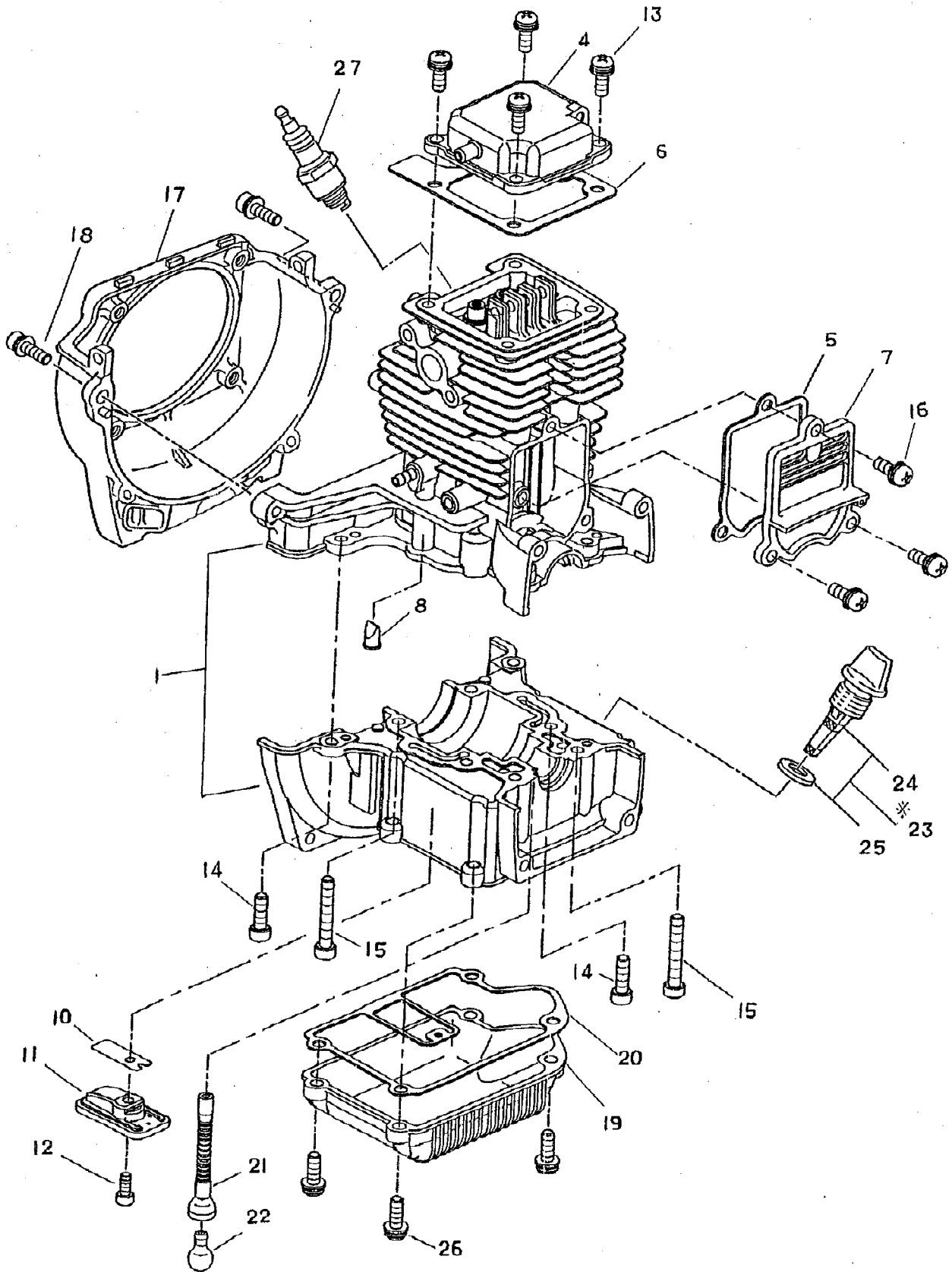
BH3600AU, BH3500A/AU PARTS LIST



KEY NO.	PART NO.	DESCRIPTION	Q'TY			REMARKS
			BH3600	BH3500 AU	A	
2	6215022030	LEVER	1	1	1	
3	6215023060	LEVER	1	1	1	
4	6215023050	ADJ COMPL	1	1	1	
*6	6345002010	WIRE SET		1		Incl.7
7	6345002020	WIRE COMPL		1		
*8	6345003030	WIRE SET	1			Incl.9
9	6345003040	WIRECOMPL	1			
*10	6345004010	WIRE SET			1	Incl.11
11	6345004020	WIRE COMPL			1	
13	6195006050	SPRING	1	1	1	
14	0119059980	SOCKET HEAD BOLT	1	1	1	M5x30
15	6215022040	NUT	1	1	1	M5
16	6195006060	TAPPING SCREW	2	2	2	M4X20

CRANK CASE

BH3600AU, BH3500A/AU PARTS LIST



CRANK CASE

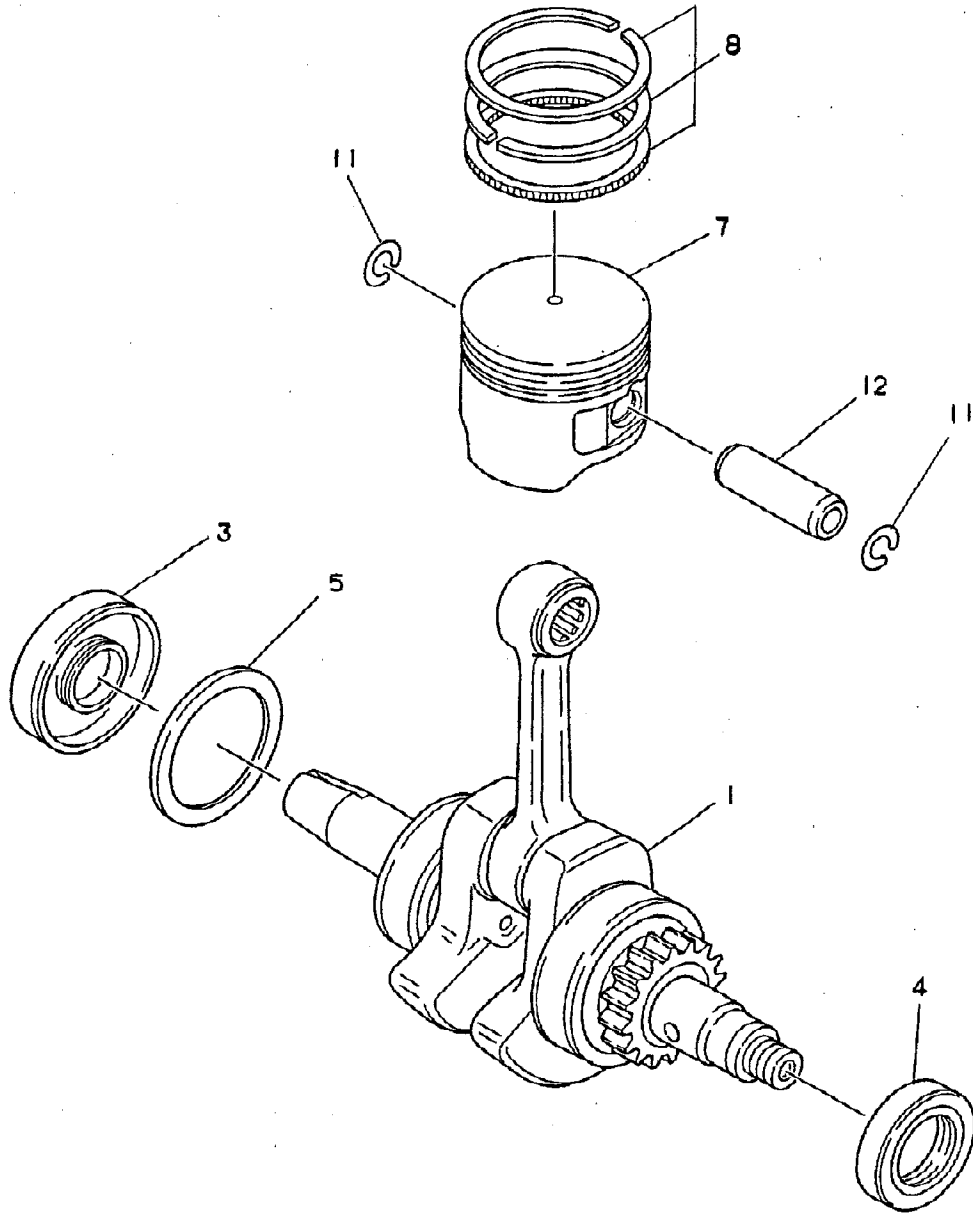
FUJIROBIN INDUSTRIES LTD.

BH3600AU, BH3500A/AU PARTS LIST

KEY NO.	PART NO.	DESCRIPTION	Q'TY		REMARKS
			BH3600	BH3500	
1	5931005000-1	CYLINDER BLOCK SET	1	1	
4	5931004000	ROCKER COVER COMPL	1	1	
5	5921500700	GASKET COVER CAMGEAR	1	1	
6	5931500800	GASKET ROCKER COVER	1	1	
7	5921500502	COVER CAMGEAR	1	1	
8	5921501800	CHECK VALVE	2	2	
10	5921501000	LEAD VALVE	1	1	
11	5921501100	RETAINER PLATE	1	1	
12	0119049960	SOCKET HEAD BOLT	1	1	M4X10
13	0043605160	SCREW ASSEMBLY	4	4	M5x16 W SW
14	0119059470	SOCKET HEAD BOLT	4	4	M5X16
15	0119059860	SOCKET HEAD BOLT	4	4	M5X33
16	0043605140	SCREW ASSEMBLY	3	3	M5x14W SW
17	5935500200	HOUSING BLOWER	1	1	
18	0119059531	SOCKET HEAD BOLT	4	4	M5x16W SW
19	5936500000	CASE OIL	1	1	
20	5936500100	GASKET CASE	1	1	
21	5926500200-1	TUBE OIL	1	1	
22	5926500300	WEIGHT OIL	1	1	
*23	5926015000	OIL GAUGE ASSY	1	1	INCL.24,25
24	5926500600	OIL GAUGE	1	1	
25	0213169990	GASKET	1	1	
26	0043605180	SCREW ASSEMBLY	4	4	M5x18 W SW
27	0650109950	PLUG SPARK	1	1	CMR6A

CRANK SHAFT

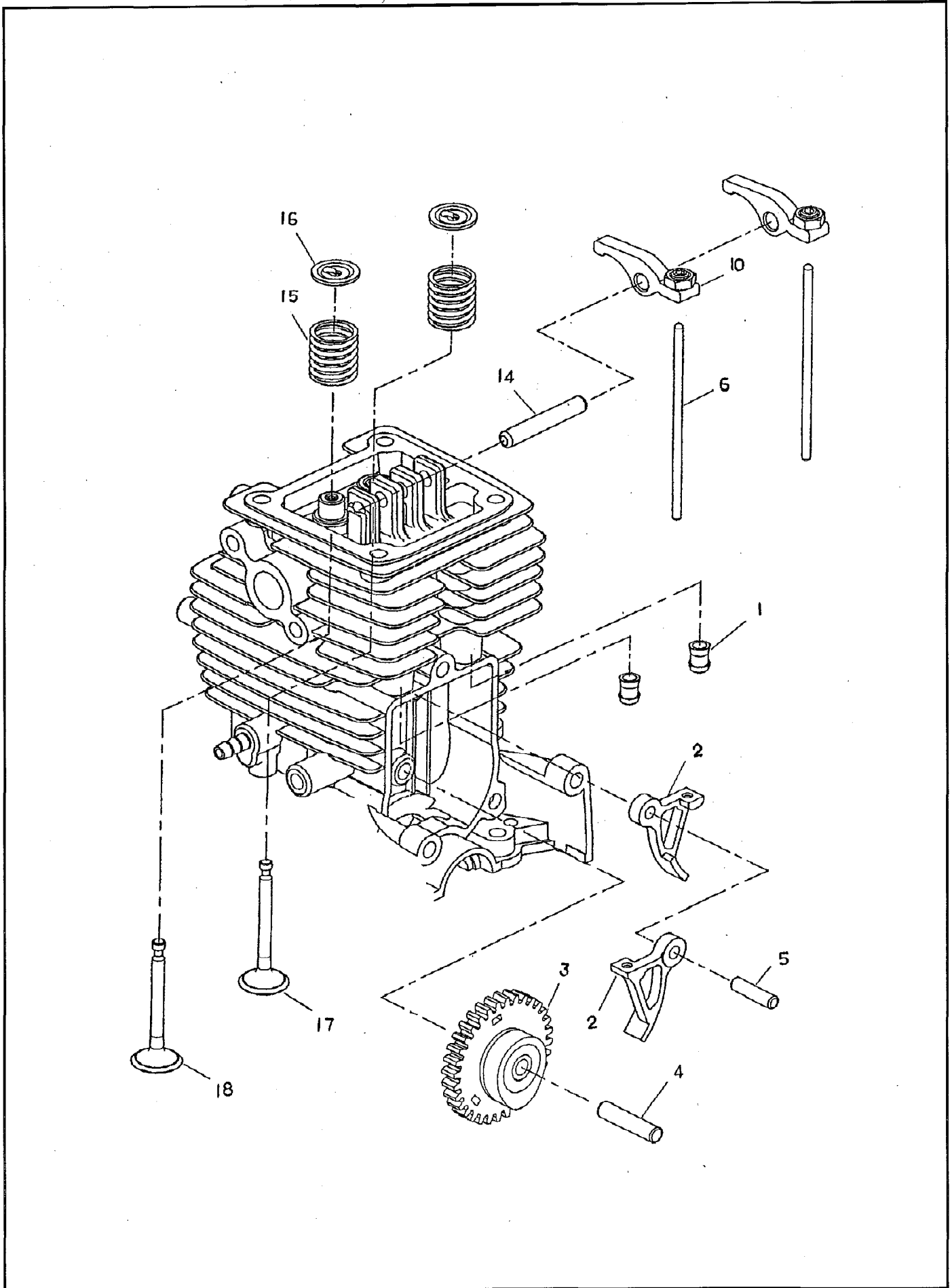
BH3600AU, BH3500A/AU PARTS LIST



CRANK SHAFT

FUJIROBIN INDUSTRIES LTD.

BH3600AU, BH3500A/AU PARTS LIST



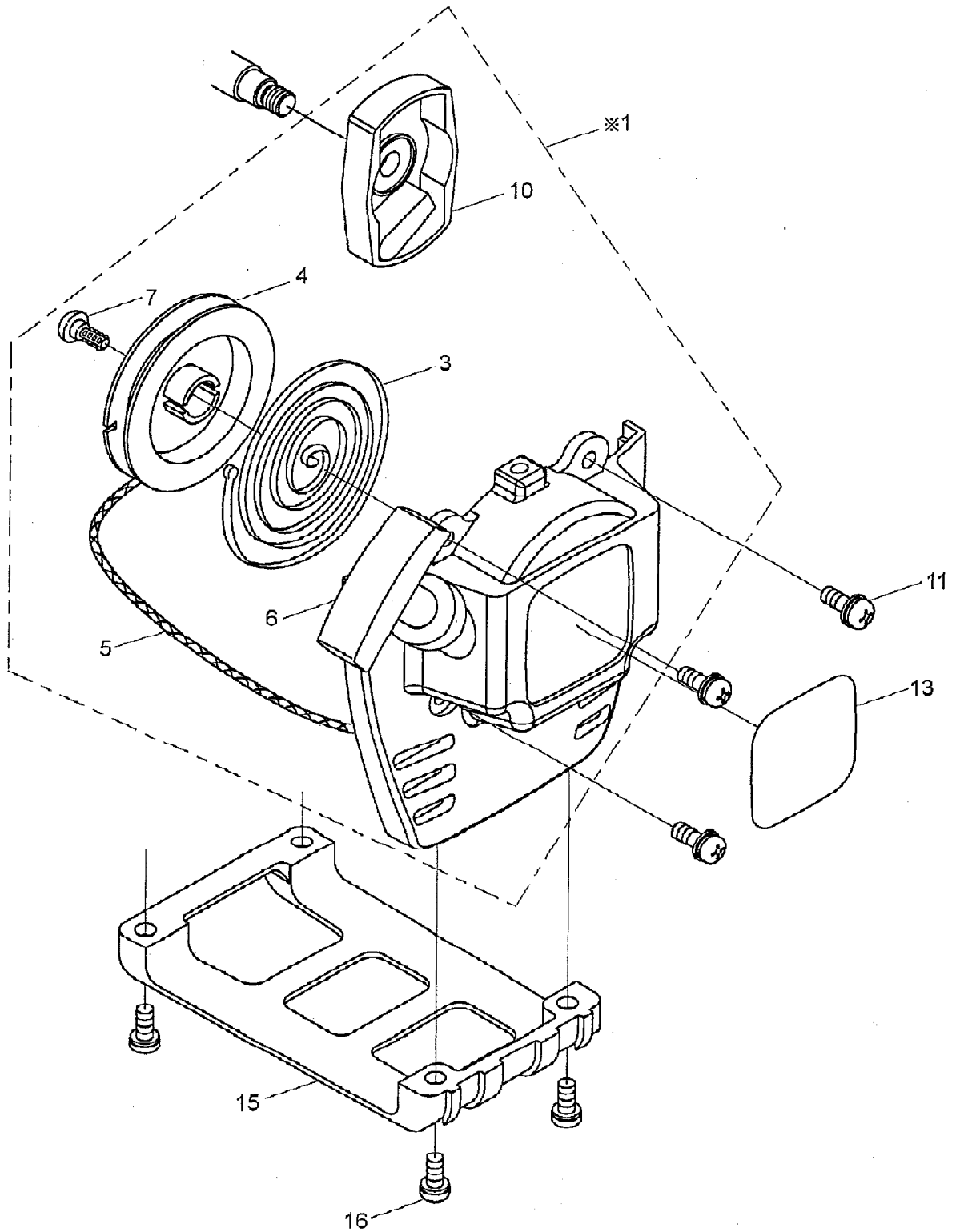
CAMSHAFT

BH3600AU,BH3500A/AU PARTS LIST

KEY NO.	PART NO.	DESCRIPTION	Q'TY		REMARKS
			BH3600	BH3500	
1	5921501400	SPACER	2	2	
2	5923500001-1	CAMLIFTER	2	2	
3	5933003000	CAMGEAR ASSY	1	1	
4	5923500501	SHAFT CAMGEAR	1	1	
5	5923500600	SHAFT CAMLIFTER	1	1	
6	5933500000	PUSH ROD	2	2	
10	5933002000	ROCKER ARM ASSY	2	2	
14	5933500100	ROCKER SHAFT	1	1	
15	5933500200	VALVE SPRING	2	2	
16	5933500300	RETAINER SPRING	2	2	
17	5933500400	EXFLAUST VALVE	1	1	
18	5933500500	INTAKE VALVE	1	1	

STARTER ASSY

BH3600AU, BH3500A/AU PARTS LIST



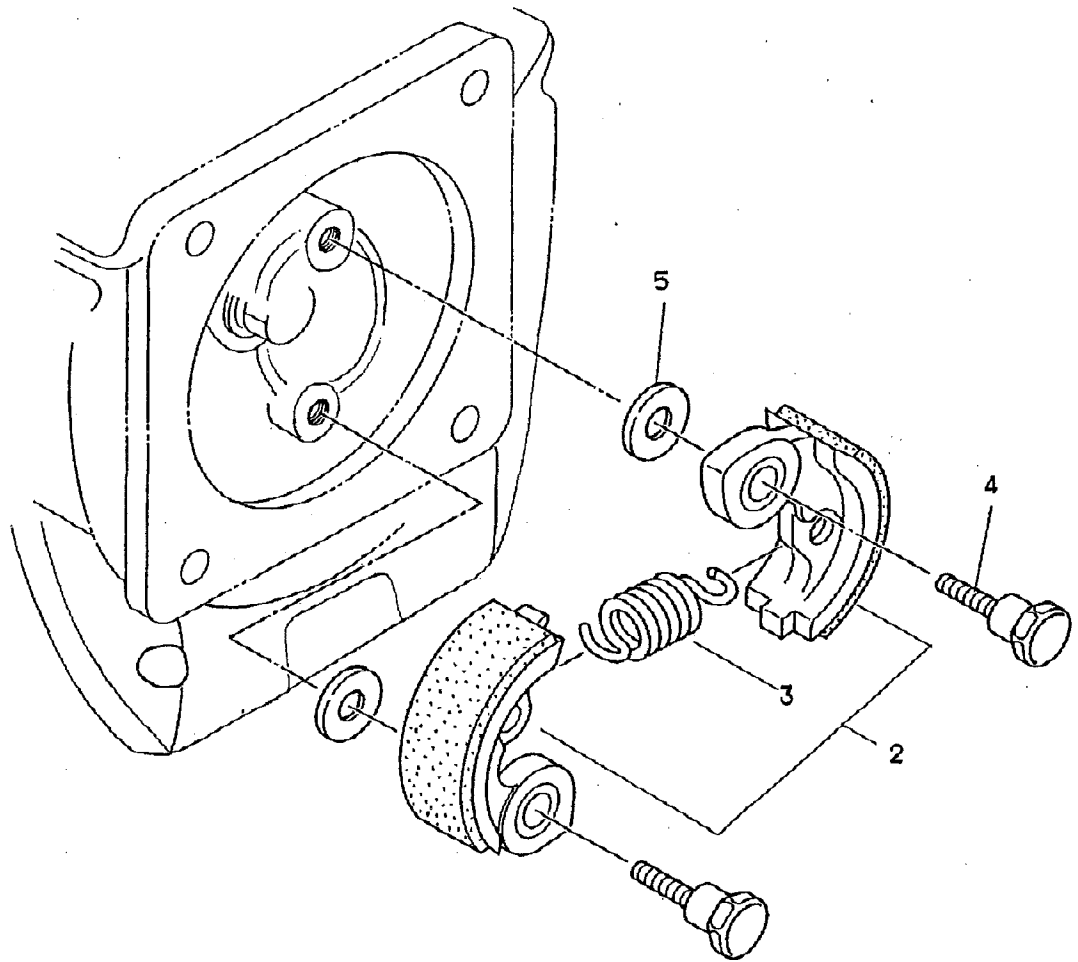
STARTER ASSY

BH3600AU,BH3500A/AU PARTS LIST

KEY NO.	PART NO.	DESCRIPTION	Q'TY		REMARKS
			BH3600	BH3500	
*1	5935001000	COVER STARTER ASSY	1	1	INCL.3-7,10
3	5025001020	SPIRAL SPRING	1	1	
4	5315022020	REEL	1	1	
5	5315022040	STARTER ROPE	1	1	
6	5215002110	STARTER KNOB	1	1	
7	5425003010	SET SCREW	1	1	
10	5315023000	PULLEY	1	1	
11	0140059480	SCREW ASSY	4	4	M5x14 W SW
13	6349500000	LABEL MODEL		1	BH3500
	6349500100	LABEL MODEL	1		BH3600
15	6345001000	GUARD TANK COMPL	1	1	
16	0140059480	SCREW ASSY	4	4	M5x14 W SW

CLUTCH

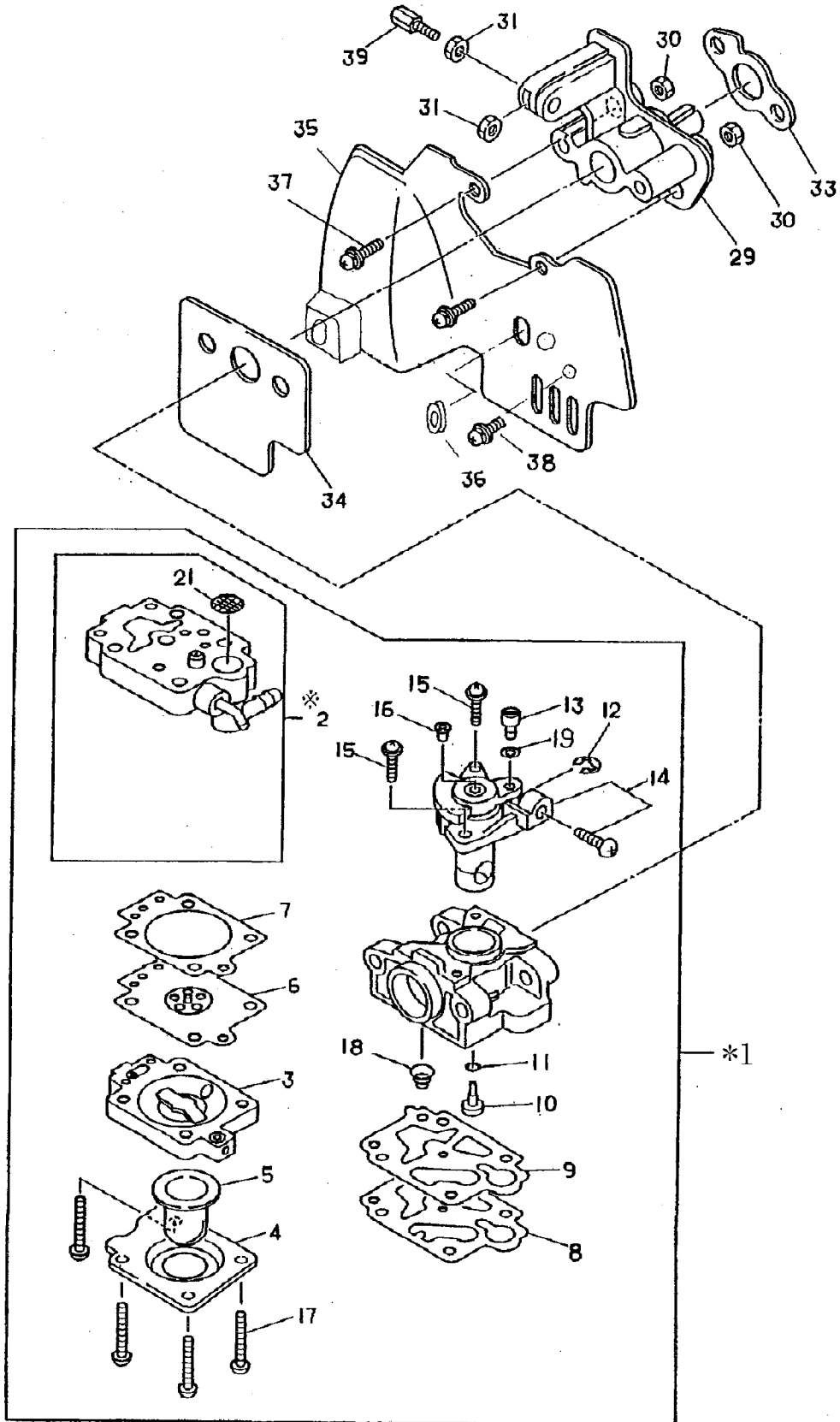
BH3600AU, BH3500A/AU PARTS LIST



CLUTCH

FUJIROBIN INDUSTRIES LTD.

BH3600AU, BH3500A/AU PARTS LIST



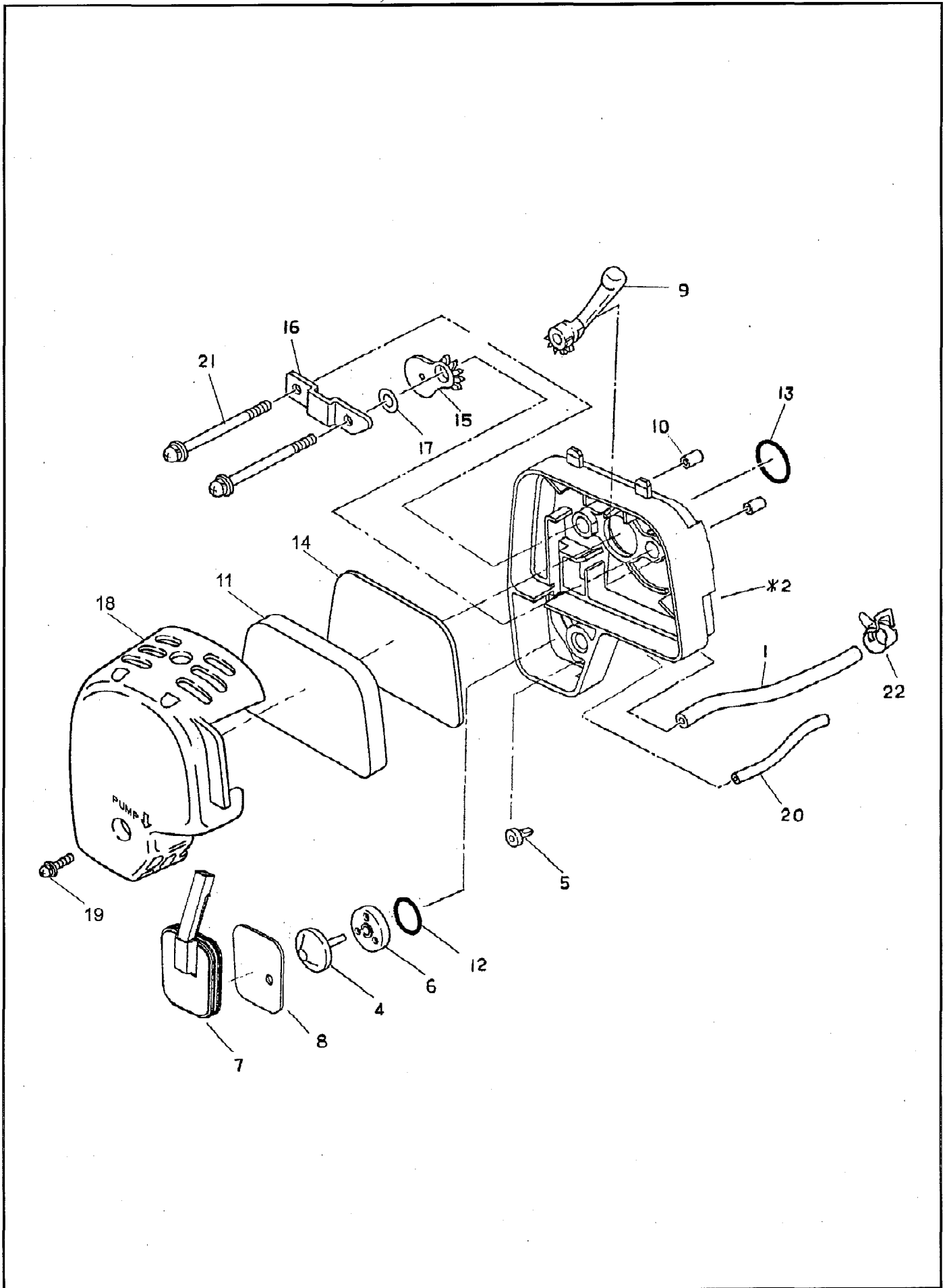
CARBURETOR ASSY

BH3600AU, BH3500A/AU PARTS LIST

KEY NO.	PART NO.	DESCRIPTION	Q'TY		REMARKS
			BH3600	BH3500	
*1	5936002000	CARBURETOR	1	1	INCL.2 to 19
*2	5926002060	BODY ASSEMBLY PUMP	1	1	INCL.21
3	5236046140	BODY ASSEMBLY AIR PURGE	1	1	
4	5236046050	COVER PRIMER PUMP	1	1	
5	5246001150	PUMP PRIMER	1	1	
6	5926008010	DIAPHRAGM ASSY METERING	1	1	
7	5236046040	GASKET METERING DIAPHRAGM	1	1	
8	5246001040	DIAPHRAGM PUMP	1	1	
9	5926002040	GASKET PUMP	1	1	
10	5936002010	JET	1	1	
11	5246001010	O RING	1	1	
12	5316005120	RING SPRING RETAINING	1	1	
13	5236018040	SWIVEL	1	1	
14	5936002020	VALVE ASSEMBLY THROTTLE	1	1	
15	5206008030	SCREW THROTTLE COLLAR	2	2	
16	5206008110	PLUG	1	1	
17	5236046010	SCREW PUMP COVER	4	4	
18	5926002020	SPRING PUMP	1	1	
19	5426005030	WASHER	1	1	
21	5016004010	SCREEN INLET	1	1	
29	5923005001	INSULATOR COMPL	1	1	INCL.30,31(2pcs)
30	0170059980	NUT	2	2	M5
31	0022706000	NUT	2	2	M6
33	5923501801	GASKET INSULATOR	1	1	
34	5923501900	GASKET CARBURETOR	1	1	
35	5933500600	INSULATOR CARBURETOR	1	1	
36	5257500300	GROMMET	1	1	
37	0043605180	SCREW ASSEMBLY	2	2	M5x18 W SW
38	0043605100	SCREW ASSEMBLY	1	1	M5x10 W SW
39	0149069960	SCREW CABLE ADJ	1	1	

AIR CLEANER ASSY

BH3600AU, BH3500A/AU PARTS LIST



AIR CLEANER ASSY

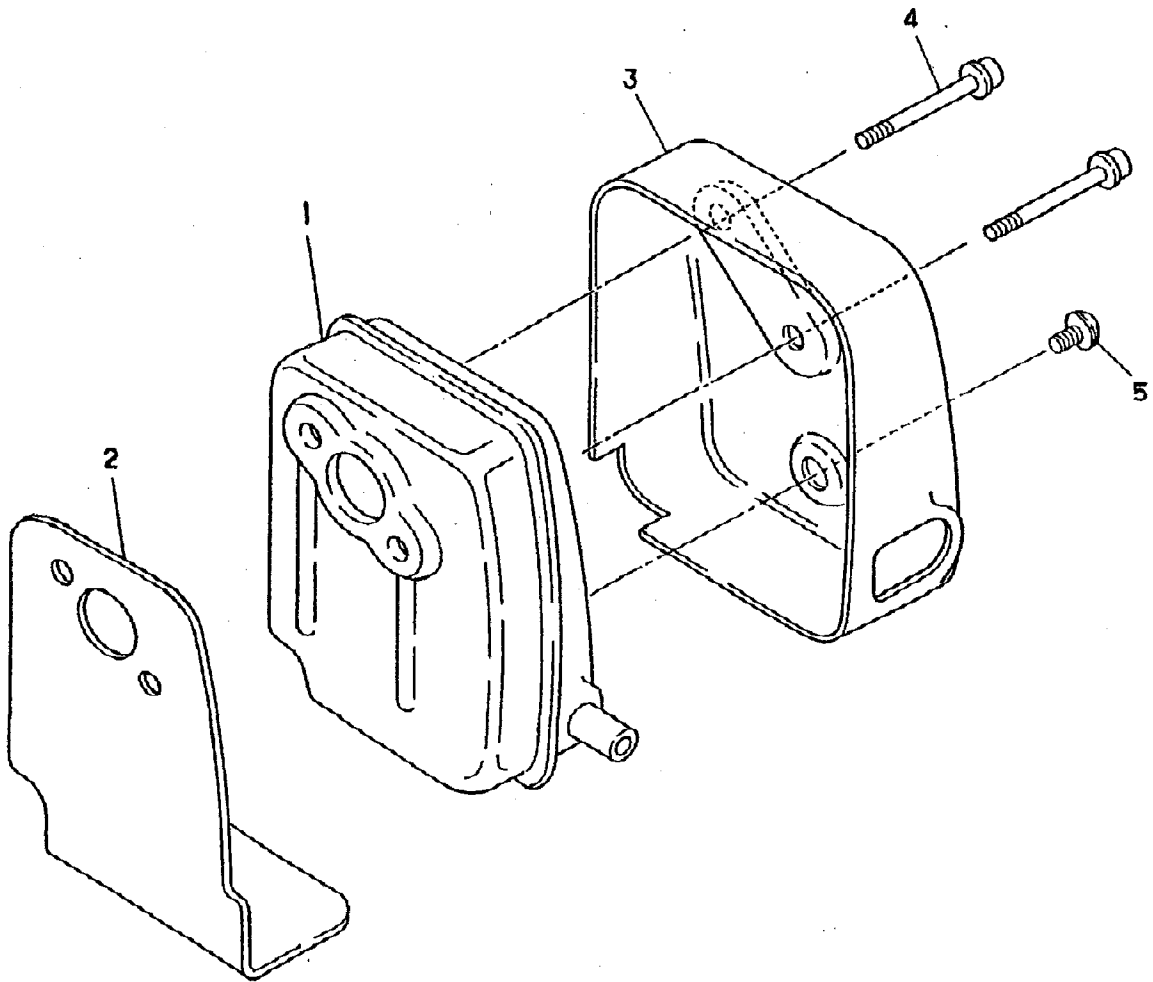
FUJIROBIN INDUSTRIES LTD.

BH3600AU,BH3500A/AU PARTS LIST

KEY NO.	PART NO.	DESCRIPTION	Q'TY		REMARKS
			BH3600	BH3500	
1	5931500900	PIPE BREATHER	1	1	
*2	5933001000	PLATE CLEANER ASSY	1	1	INCL.3 to 10,12,13
4	5316500701	CHECK VALVE	1	1	
5	5923502400	CHECK VALVE (1)	1	1	
6	5923502500	PLATE CHECK VALVE	1	1	
7	5933501600	PLATE SEPALATOR	1	1	
8	5923503500	GASKET SEPALATOR	1	1	
9	5923502200-1	LEVER CHOKE	1	1	
10	0230059880	SPACER	2	2	
11	5933501200-1	ELEMENT AIR CLEANER	1	1	
12	0240139970	O RING	1	1	
13	0240159990	O RING	1	1	
14	5933500900	ELEMENT AIR CLEANER	1	1	
15	5923502301	PLATE CHOKE	1	1	
16	5923502600	PLATE	1	1	
17	0213069990	GASKET	1	1	
18	5933500800	COVER AIR CLEANER	1	1	
19	0140059480	SCREW ASSY	1	1	M5x14 W SW
20	5923503001	PIPE	1	1	
21	5923503100	SCREW	2	2	M5x68 W SW
22	0561080010	HOSE CLAMP	1	1	

MUFFLER EXHAUST

BH3600AU, BH3500A/AU PARTS LIST



MUFFLER EXHAUST

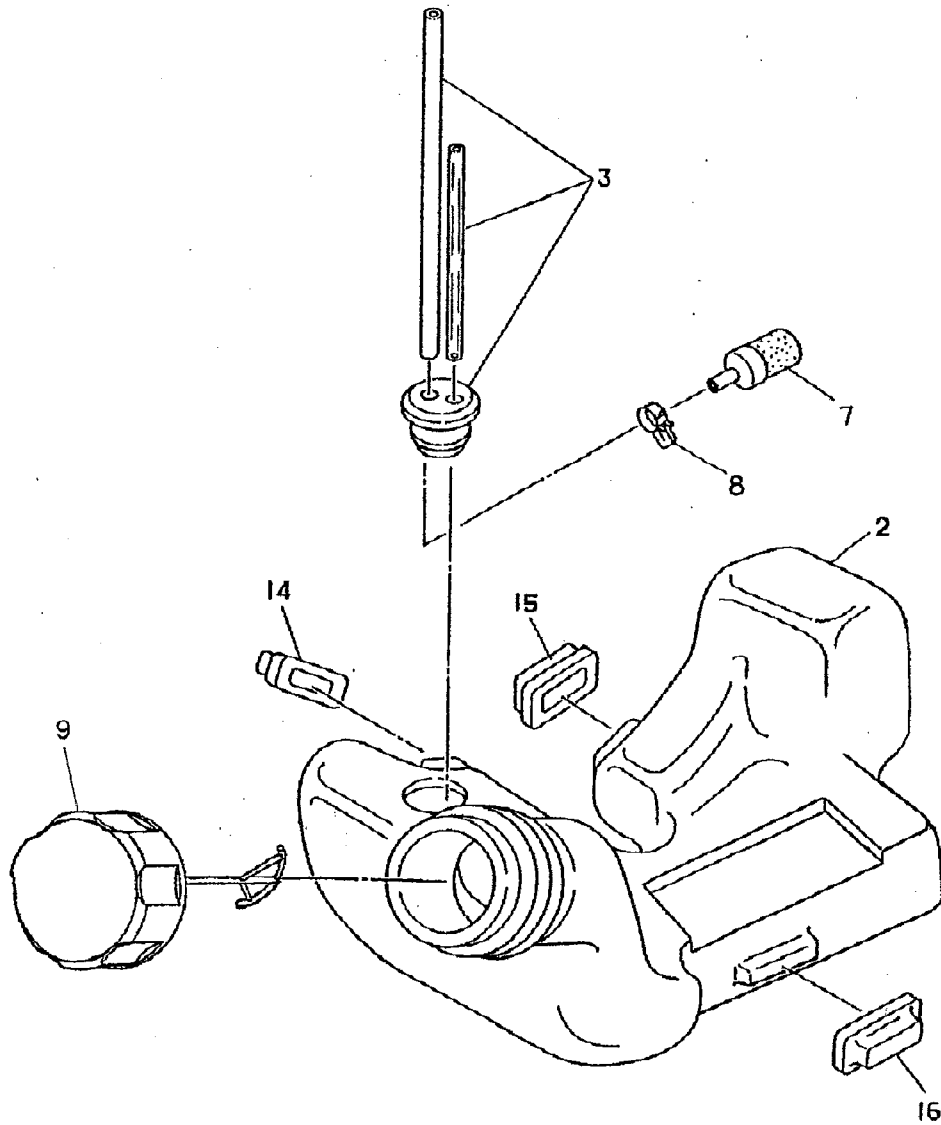
FUJIROBIN INDUSTRIES LTD.

BH3600AU,BH3500A/AU PARTS LIST

KEY NO.	PART NO.	DESCRIPTION	Q'TY		REMARKS
			BH3600	BH3500	
1	5923001000	MUFFLER EXHAUST	1	1	
2	5923501601	GASKET MFFLER	1	1	
3	5923503400	COVER MUFFLER	1	1	
4	0119059520	SOCKET HEAD BOLT	2	2	M5x40W
5	0140059962	SCREW	1	1	M5x5

TANK FUEL

BH3600AU, BH3500A/AU PARTS LIST



TANK FUEL

FUJIROBIN INDUSTRIES LTD.

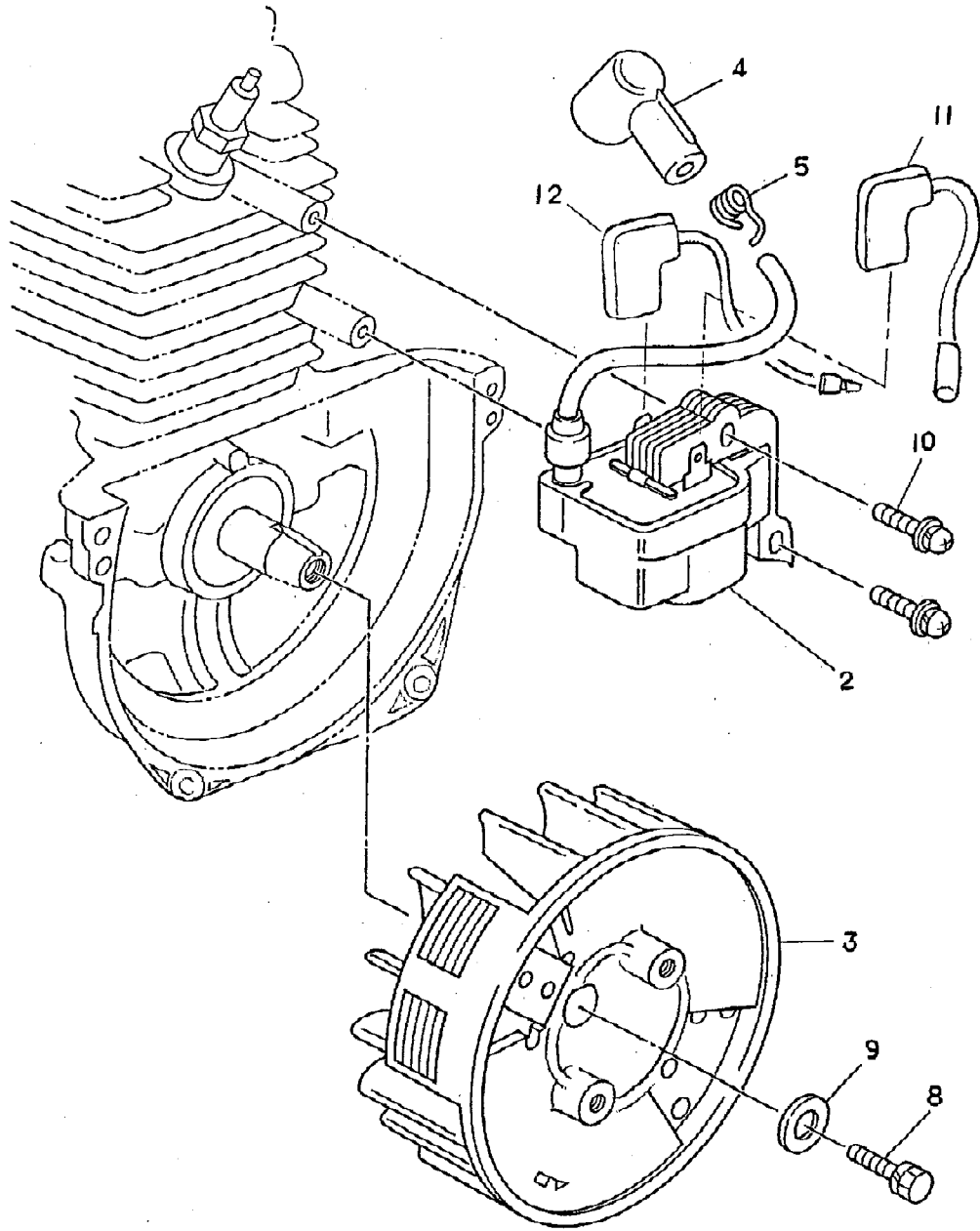
BH3600AU,BH3500A/AU PARTS LIST

KEY NO.	PART NO.	DESCRIPTION	Q'TY		REMARKS
			BH3600	BH3500	
2	5936500200	TANK FUEL	1	1	
3	5936003000	TUBE	1	1	
7	5236503900	FILTER	1	1	
8	0561059990	HOSE CLAMP	1	1	
9	5926013000	CAP FUELTANK ASSY	1	1	
14	5036500200-1	PLATE	1	1	
15	5036500300-1	PLATE	1	1	
16	5196500301	DAMPER	1	1	

FLYWHEEL&COIL

FUJIROBIN INDUSTRIES LTD.

BH3600AU, BH3500A/AU PARTS LIST



FLYWHEEL&COIL

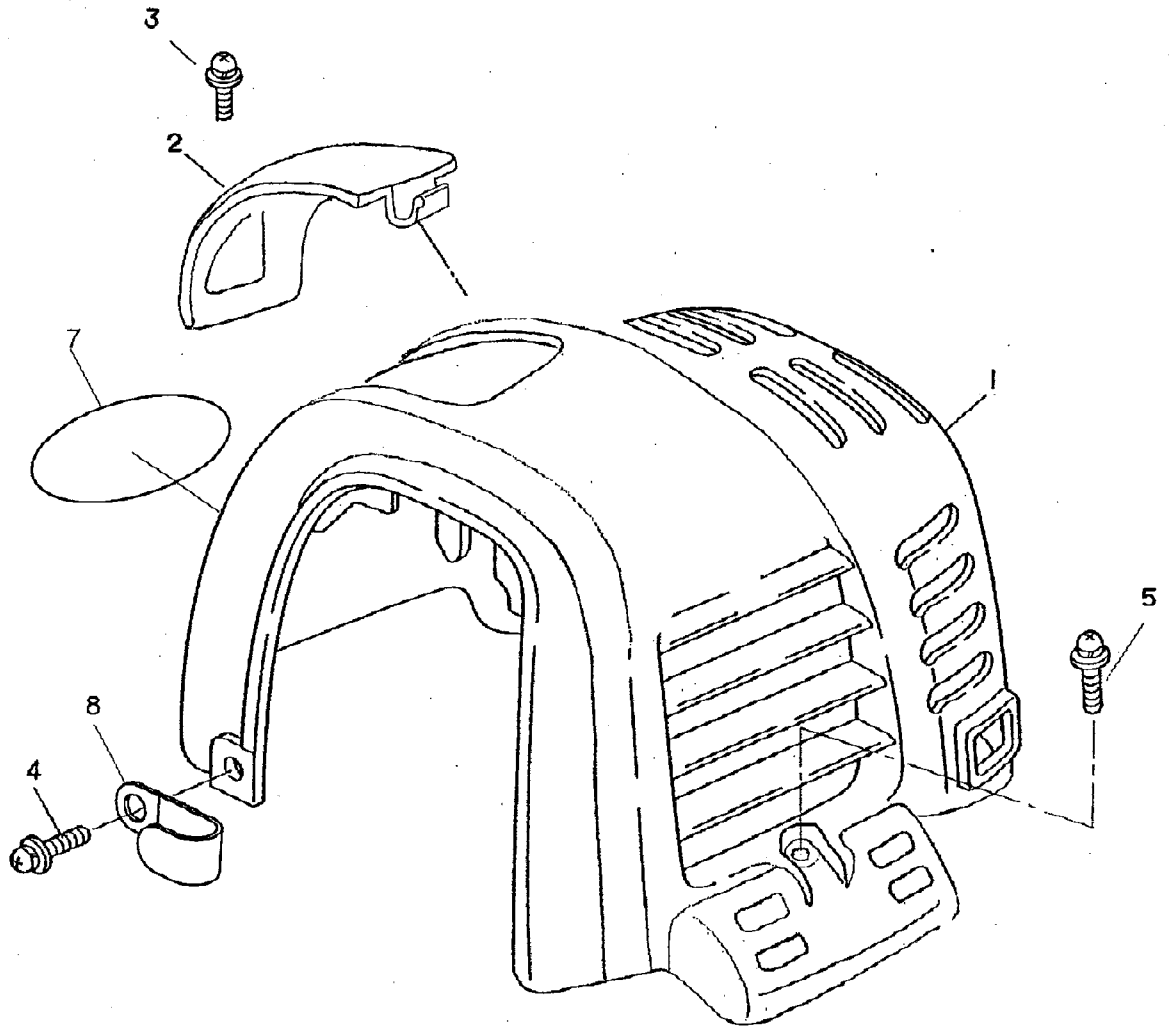
FUJIROBIN INDUSTRIES LTD.

BH3600AU, BH3500A/AU PARTS LIST

KEY NO.	PART NO.	DESCRIPTION	Q'TY		REMARKS
			BH3600	BH3500	
2	5937001010	IGNITION COIL	1	1	
3	5937001020	FLYWHEEL CP	1	1	
4	5927500100	CAP PLUG	1	1	
5	0654009931	SPRING PLUG CAP	1	1	
8	0011306160	BOLT ASSEMBLY	1	1	M6x16 SW
9	0031206000	WASHER	1	1	
10	0140049920	SCREW		2	M4x20 W SW
10	0119049970	SOCKET HEAD BOLT	2		M4x20 W SW
11	5257018001-2	WIRE COMPL	1	1	
12	5927003000	WIRE COMPL	1	1	

COVER CYLINDER

BH3600AU, BH3500A/AU PARTS LIST



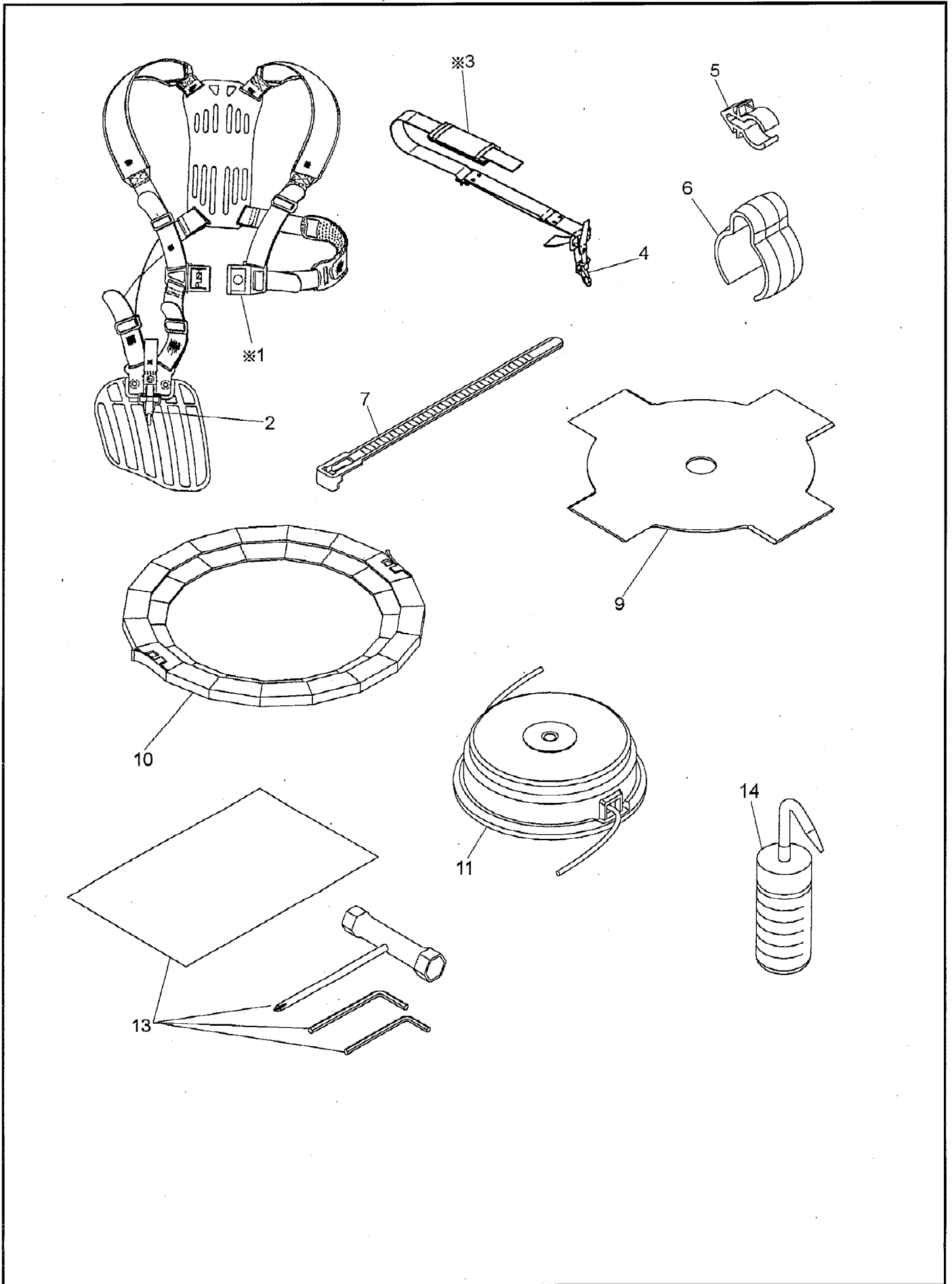
COVER CYLINDER

BH3600AU,BH3500A/AU PARTS LIST

KEY NO.	PART NO.	DESCRIPTION	Q'TY		REMARKS
			BH3600	BH3500	
1	5935500300	COVER CYLINDER	1	1	
2	5935500500	COVER PLUG	1	1	
3	0140059920	SCREW	1	1	M5x8
4	0043605120	SCREW ASSEMBLY	2	2	M5x12 W SW
5	0140059480	SCREW ASSY	1	1	M5x14 W SW
7	5929500100	LABEL TRADE MAKE		1	
8	0566059980	CLAMP	1	1	

ACCESSORY

BH3600AU, BH3500A/AU PARTS LIST



ACCESSORY

FUJIROBIN INDUSTRIES LTD.

BH3600AU,BH3500A/AU PARTS LIST

KEY NO.	PART NO.	DESCRIPTION	Q'TY			REMARKS
			BH3600	BH3500		
				AU	A	
*1	6347003000	BAND ASSY	1	1		INCL.2
2	6347004000	HOOK	1	1		
*3	6207003002	BAND ASSY			1	INCL.4
4	6257500400	HOOK			1	
5	6344001110	CLAMP WIRE	3			
6	6351500700	CLAMP WIRE		2		
7	0563749980	WIRE BAND			2	
9	6418501400	CUTTER	1	1	1	255x4
10	6418500701	COVER CUTTER	1	1	1	
11	6458009001	CUTTER ASSY	1	1	1	1 LOT 50 PCS.
13	6349007000	TOOL	1	1	1	
14	0722105000	BOTTLE OIL	1	1	1	